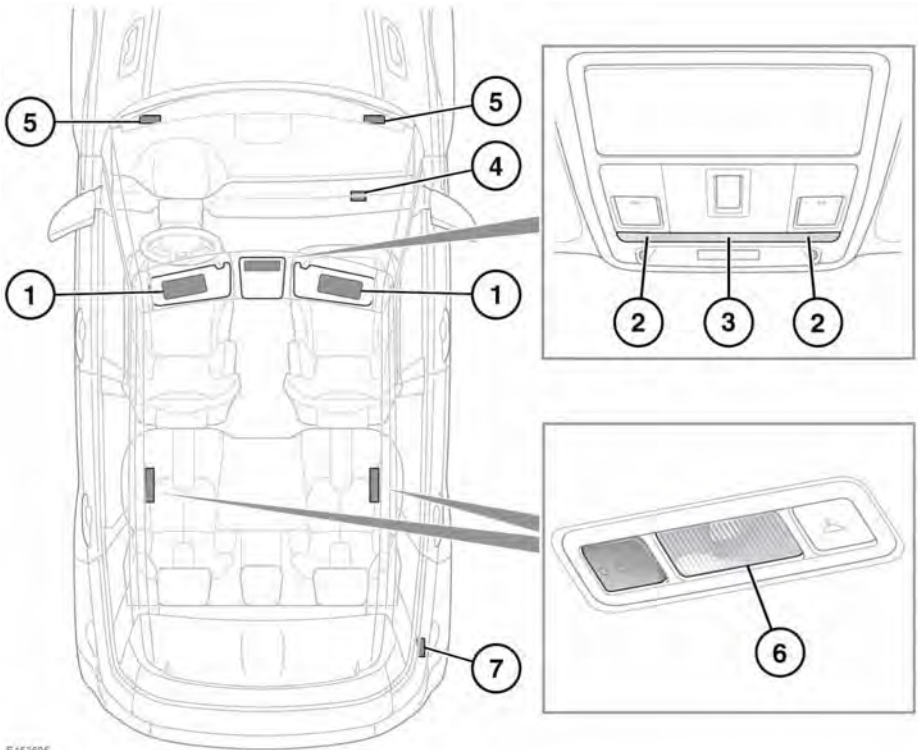


INTERIOR LIGHTS



E153905

1. Sun visor lamps: Illuminate when the vanity mirror is opened.
2. Map reading lamps: Move a finger close to (or touch) the relevant lens to switch on/off.
Note: *If you are wearing gloves, it may be necessary to touch the lens to operate the lamps.*
3. Front interior lamp: Illuminates when the doors are unlocked and extinguishes 60 seconds after all doors are closed, when the engine starts or when the vehicle is locked. Move a finger close to (or touch) the lens to switch on and off manually. Touch the lens for 2 seconds to deactivate/activate automatic illumination.
4. Glovebox lamp: Illuminates when the glovebox is opened.

5. Footwell lamps: Illuminate when the doors are unlocked and extinguish 60 seconds after all doors are closed, when the engine starts or when the vehicle is locked.
6. Rear interior/reading lamps: Illuminate when the doors are unlocked and extinguish 60 seconds after all doors are closed, when the engine starts or when the vehicle is locked. Press the switch to switch on and off manually. Touch the front courtesy lamp lens for approximately 2 seconds to deactivate/activate automatic illumination of the rear interior lamps.
7. Luggage compartment lamp: Illuminates when the tailgate is opened.

INTERIOR LIGHTS INTENSITY

Use the rotary control to adjust the intensity of the instrument illumination. The exterior lamps must be switched on while changes are being made. See **304, DRIVER CONTROLS**.

AMBIENT LIGHTING

On some vehicles the LED ambient lighting can be configured for colour and intensity through the Touch screen. Although the exterior lamps must be switched on while changes are being made, a one second preview of any changes made can be seen if the exterior lamps are switched off. See **82, EXTRA FEATURES**.

Note: Vehicles without configurable ambient lighting will illuminate the standard white light for the interior lamps.

STEALTH MODE

Stealth mode lowers the level of interior illumination to aid night time driving. Stealth mode can be enabled through the Touch screen extra features menu. See **80, TOUCH SCREEN CONTROLS**.

Once enabled, Stealth mode is activated by switching the Touch screen off, using the on/off button. See **80, TOUCH SCREEN CONTROLS**. If night time conditions exist when the Touch screen is switched off, interior switch illumination, and Instrument panel back-lighting will automatically reduce to their minimum light levels. Stealth mode will be deactivated if night time conditions no longer exist, or if the Touch screen is switched back on.

Note: The interior illumination control will not operate while Stealth mode is active. See **304, DRIVER CONTROLS**.