

# Tyre pressure monitoring system (TPMS)

## TYRE PRESSURE MONITORING SYSTEM (TPMS)

**⚠** TPMS provides a low pressure warning and does not re-inflate your tyres. Tyre pressures should be checked regularly, using an accurate pressure gauge when the tyres are cold.

**⚠** TPMS can NOT register damage to a tyre. Regularly check the condition of your tyres, especially if the vehicle is driven off-road.

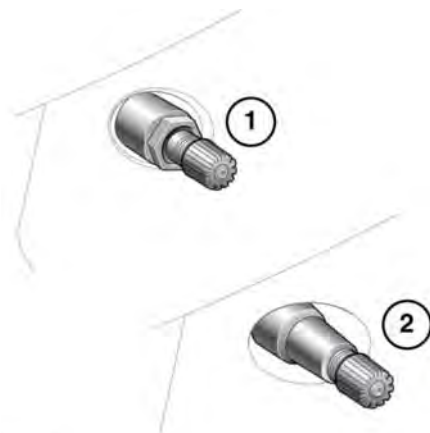
**ⓘ** When inflating tyres, care should be taken to avoid bending or damaging the TPMS valves. Always confirm the correct alignment of the inflation head to the valve stem.

**ⓘ** To avoid damage to TPMS valves, it is recommended not to use rigid tyre inflation wands. This is to avoid the risk of excess leverage and sideways pressure on the valve.

**Note:** Non-approved accessories may interfere with the system. If this occurs, **TYRE PRESSURE MONITORING FAULT** is displayed in the Message centre.

**Note:** Different types of tyre may affect TPMS performance. Always renew tyres in accordance with recommendations.

TPMS constantly monitors the tyre pressure in each wheel, including the full size spare. Temporary use spare tyres are not monitored. See **264, TEMPORARY-USE SPARE WHEEL AND TYRE CHANGE**.



E132513

Wheels fitted with a TPMS can be visually identified by the external metal lock nut and valve (1). All Land Rover non-TPMS wheels have a rubber valve fitted (2).

**Note:** At each tyre change, a special service kit is required for each TPMS valve.

Tyre pressures should be checked regularly when the tyres are cold and adjusted as necessary. The presence of a TPMS does not remove the need to check tyre pressures as part of a vehicle safety check. See **256, TYRE PRESSURES**.

The tyre pressure warning lamp illuminates when one or more of the tyres are significantly under-inflated, accompanied with a message in the Message centre.

See **63, TYRE PRESSURE MONITORING SYSTEM (YELLOW)**. Stop and check the tyres as soon as possible and inflate them to the recommended pressure.

TPMS also monitors the full size spare tyre pressure. If the pressure for the spare tyre is incorrect, the message **CHECK SPARE TYRE PRESSURE** is displayed, accompanied by the illumination of the warning lamp.

## TYRE PRESSURE CHECK

The Instrument panel can be used to display the vehicle's tyre pressures. The tyre pressure figures can be accessed via the **Vehicle Info** menu.

For more information, see **56, INSTRUMENT PANEL MENU**.

**Note:** The tyre pressure units can be configured to display as either bar, psi, or kPa via the **Vehicle Info** and the **Tyre Information** menus.

When selected, the last known tyre pressures will be displayed, alongside the recommended cold tyre pressures (in brackets).

**Note:** If any of the wheels or tyres have been removed, the displayed tyre pressures may not be valid. Drive the vehicle for at least 15 minutes in order to re-calibrate the system.

## RECOMMENDED TYRE PRESSURE LOOK-UP

The Instrument panel can be used to display the recommended cold tyre pressures for your vehicle. The tyre pressure look-up table can be accessed via the **Vehicle Info** and the **Tyre Information** menus.

For more information, see **56, INSTRUMENT PANEL MENU**.

Depending on the specification of your vehicle, a number of different values may be displayed to reflect different driving conditions, for example, high speed driving or for a heavily laden vehicle.

## VEHICLE LOADING

The TPMS can be adjusted to monitor either **Normal** (light) load or **Heavy** load, via the Instrument panel menus, **Vehicle Info**, **Tyre Information** and **TPM Load Setting**. See **56, INSTRUMENT PANEL MENU**.

**Note:** The ignition will have to be switched on, without the engine running.

If the tyre pressures are adjusted to the **Normal** (light) load setting, then the TPMS should be adjusted to suit the vehicle's load and associated recommended tyre pressures.

Every time the ignition is switched on, a TPMS message will be displayed in the Message centre, to indicate which load setting is being monitored.

**Note:** The TPMS setting must correspond with the vehicle's current load.

The **Normal** (light) load setting should be used during normal use of the vehicle, for example, up to 4 occupants.

The **Heavy** Load setting should be used when the vehicle's load exceeds normal use, and up to the Gross Vehicle Weight (GVW), for example, more than 4 occupants.

**Note:** Make sure that the tyre pressures are correct for the vehicle's current load.

The Instrument panel menus, **Vehicle Info** and **Tyre Pressures**, can be used to check the vehicle's current tyre pressures.

## FULL SIZE SPARE WHEEL AND TYRE CHANGE

The system will automatically recognise any changes in wheel positions. The vehicle must be stationary for 15 minutes during the wheel and tyre change, to make sure that the system can detect the change. After driving above 25 km/h (16 mph), any deflation warning should clear within approximately 5 minutes.

**Note:** *Following repairs to a full size spare wheel fitted with tyre pressure monitoring, the TPMS warning lamp may illuminate if tyre inflation is not carried out within close proximity of the vehicle. Should this occur, re-inflate the tyre within 5 m of the vehicle.*

## TEMPORARY-USE SPARE WHEEL AND TYRE CHANGE

If the temporary-use spare wheel is fitted, the system will automatically recognise the change in wheel positions. After approximately 10 minutes of driving above 25 km/h (16 mph), the message **FRONT[REAR] RIGHT[LEFT] TYRE PRESSURE NOT MONITORED** will be displayed, accompanied by illumination of the warning lamp.

The warning lamp will first flash and then illuminate continuously. Extended use of the temporary-use spare wheel will trigger the message **TYRE PRESSURE MONITORING SYSTEM FAULT**.

This TPMS display sequence will be activated at every ignition cycle, until the temporary spare wheel is replaced by a full-size road wheel with a TPMS sensor fitted.

**Note:** *If in use, always replace the temporary spare wheel before having a TPMS fault investigated.*