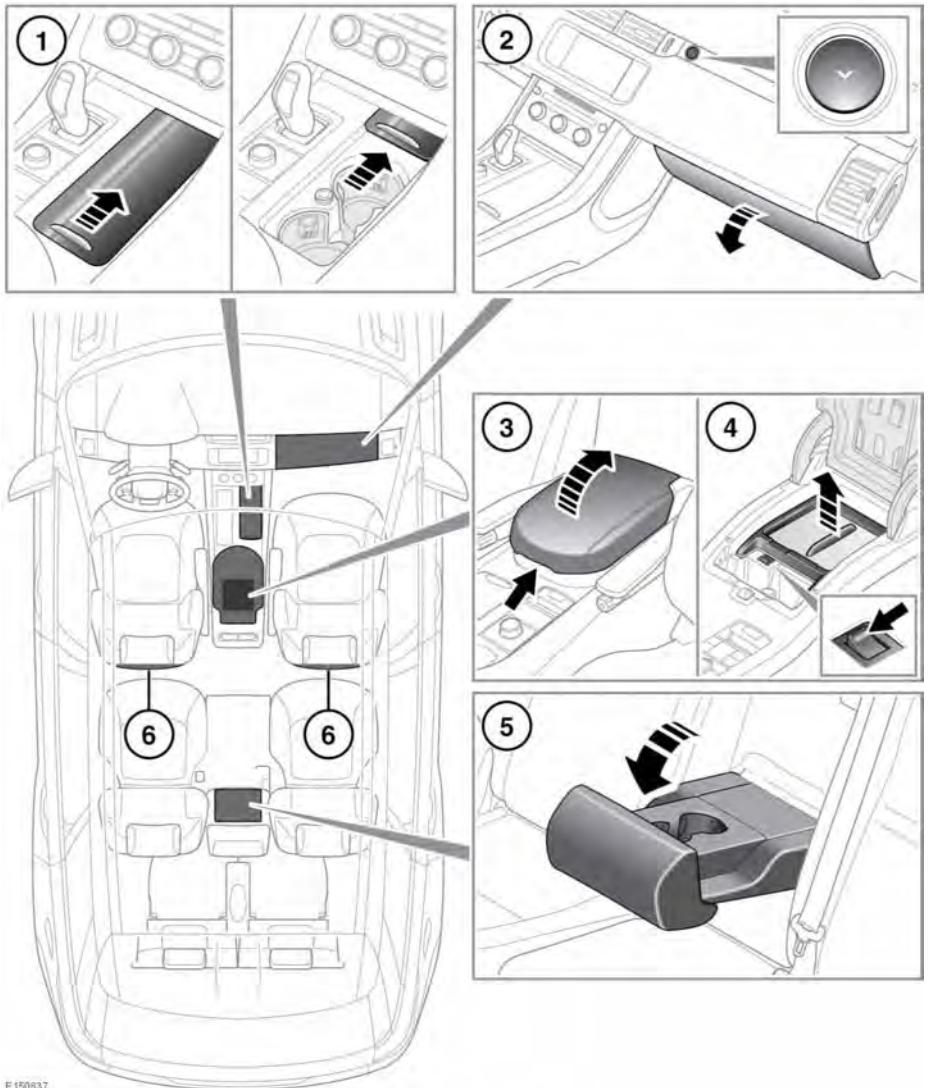


STORAGE COMPARTMENTS



Storage compartments

⚠ WARNING

Make sure that any items stored in the vehicle are secure and cannot move. If the vehicle is involved in an accident, or subject to sudden braking or a change of direction, loose items can cause serious injury.

1. Front cup holders: Slide open the panel to access. Press and release to close.

2. Glovebox.

3. Center console storage/cool box.

Note: The rubber mat at the bottom of the center console is designed to hold CD cases.

4. Cool box: Switch on and off using the switch on the inside front lip. There is a short delay between pressing the switch and illumination of the indicator. The cool box will work best when the cooling tray is used.

Note: The cool box will only operate with the ignition switched on.

Note: The cool box is not a refrigerator and will not reach the low temperatures attained by a refrigerator. Repeated or prolonged opening of the cool box will reduce its ability to maintain temperature.

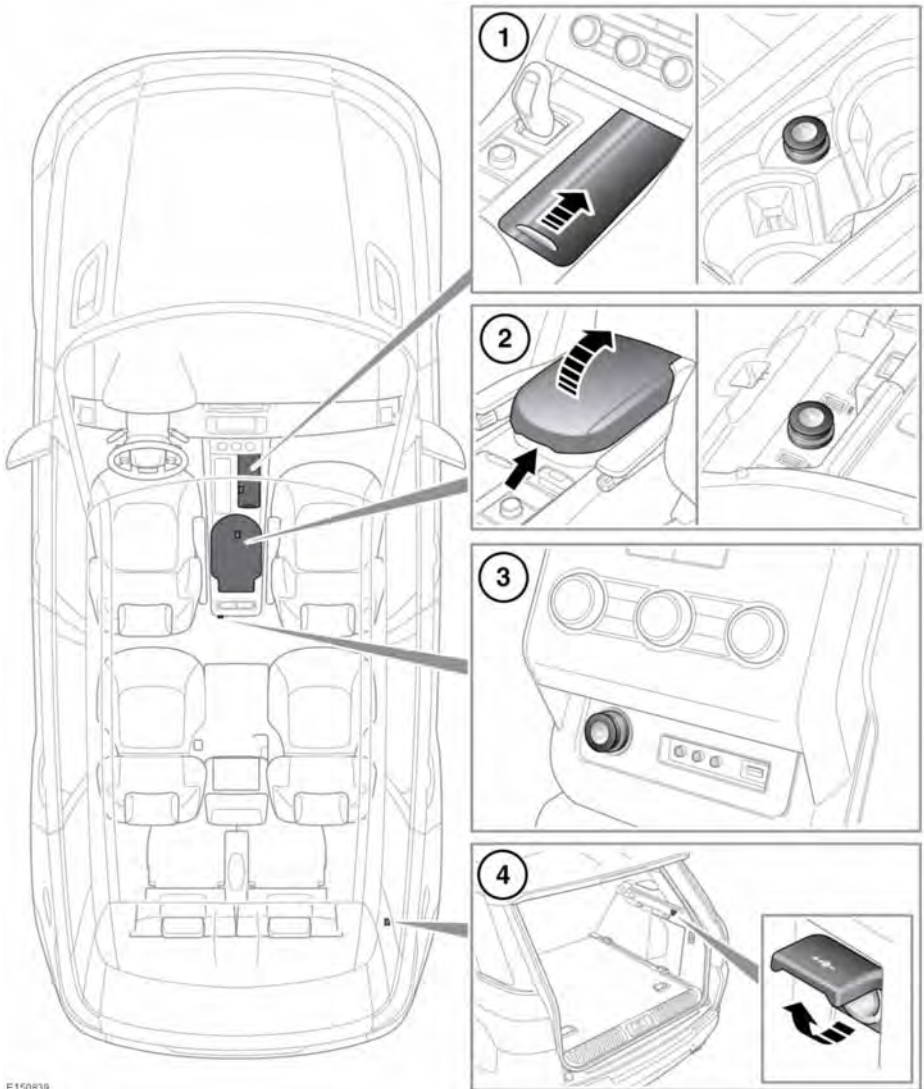
NOTICE

The cool box should be switched off when it is not needed, to preserve battery charge.

5. Rear seat cup holders: Fold the center armrest down.

6. Map pockets.

AUXILIARY POWER SOCKETS



1. Front power socket.
2. Center power socket.

3. Rear power socket.
4. Loadspace power socket.

Storage compartments

NOTICE

Only use Land Rover approved accessories. Using any other equipment may damage the vehicle's electrical system. If you are in any doubt, contact a Retailer/Authorized Repairer.

NOTICE

The engine should be running when using accessories for long periods. Failure to do so can discharge the battery.

Note: *Power sockets can be used to power approved accessories that use a maximum of 180 Watts.*