

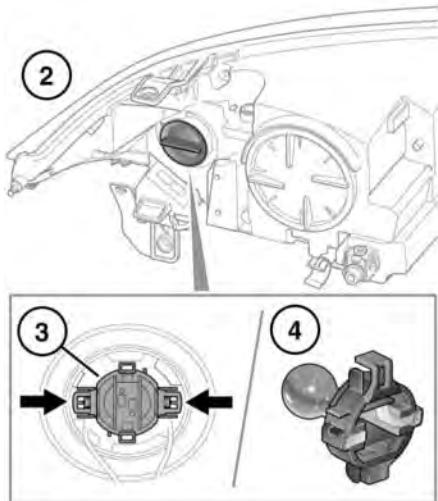
Note: Note the position of the locating lugs on the cover to aid refitting.

3. Rotate the bulb holder clockwise to release it from the headlamp.

Note: Note the position of the locating lugs on the bulb holder to aid refitting.

4. Release the bulb from the retaining tags and remove the bulb.
5. Insert the new bulb and repeat the above procedure in reverse order, for refitting.

DIRECTION INDICATOR BULB REPLACEMENT



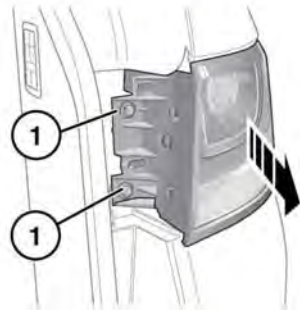
E151051

1. Release the headlamp to gain access. See **259, HEADLAMP REMOVAL**.
2. Twist and lift off the cap.
3. Press the catches and pull the bulb holder from the unit.

4. Push and twist to remove the bulb.

REAR LAMP REMOVAL

To change any of the rear bulbs, it is necessary to completely remove the lamp unit from the vehicle.



E151036

1. With the tailgate open, remove the trim panel and then remove the 2 screws from the inner edge of the unit.
2. Firmly but carefully, pull the unit away from the vehicle, releasing the 2 lugs situated at the rear of the lamp unit.