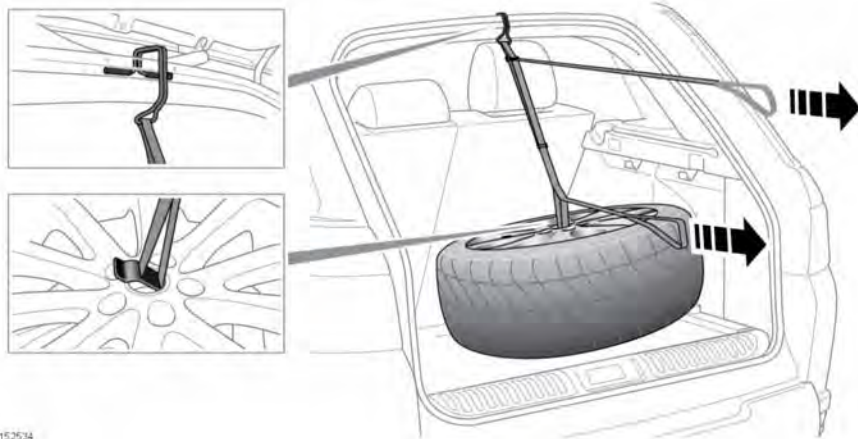


# Wheel changing



E1152534

Always remove the spare wheel before jacking the vehicle.

**Note:** Before removing the spare wheel, take note of its stowage position. The wheel to be changed must be correctly stowed and secured in its place.

**Note:** The spare wheel lift assist tool is not fitted to all vehicles. For more information, contact your Retailer/ Authorised Repairer.





1. Open the tailgate. See **9, OPENING AND CLOSING THE TAILGATE/11, OPENING AND CLOSING THE POWERED TAILGATE.**
2. Remove the loadspace floor panel.
3. Remove the spare wheel retaining bolt.
4. Remove the vehicle's jack and the spare wheel lift assist tool. See **313, TOOL KIT**
5. Attach the lift assist tool, as shown.
  - Pull the upper strap to lift the spare wheel up.

- Pull the lower strap, to place the spare wheel onto the tailgate.

6. Remove the tool and carefully lift the spare wheel from the vehicle.

**Note:** Reverse the order to stow the changed wheel.

## IMPORTANT – USE OF SPARE TYRE

-  Adhere to the instructions on the temporary-use spare warning label, affixed to the wheel. Failure to do so may cause vehicle instability and/or tyre failure.
-  Where fitted, the temporary-use spare wheel is **FOR TEMPORARY USE ONLY.**
-  Drive with caution while the temporary-use spare wheel is fitted.
-  Make sure that an original size wheel and tyre are fitted as soon as possible.