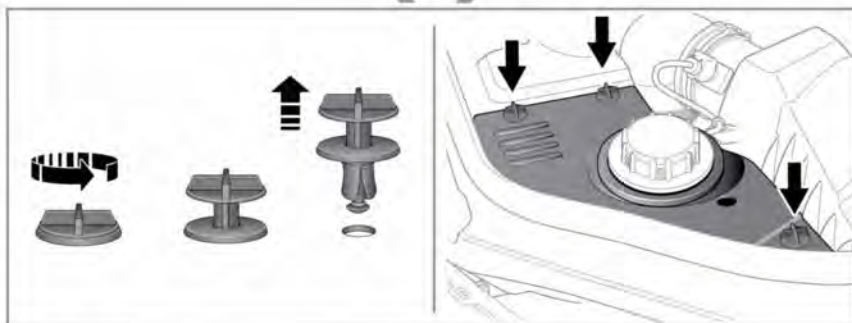
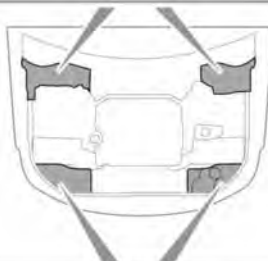
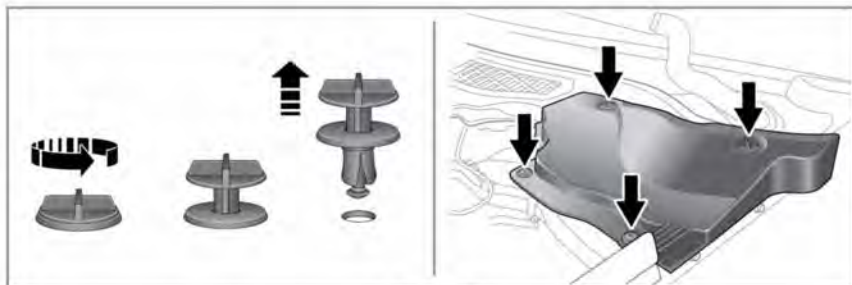


UNDER BONNET COVERS - REMOVAL



E151131

1. Release and remove the turnbuckle clips securing the cover.
2. Lift the front edge of the cover and slide forwards to remove.

UNDER BONNET COVERS - REFITTING



Before refitting the under bonnet covers, make sure that no pipes, cables or other items, have been trapped between the cover and the casing.