




3. Disconnect the electrical connector and remove the unit from the vehicle. Place face down on a flat surface covered in soft material, to prevent damage.

REAR FOG LAMP BULB REPLACEMENT

-  Always find a safe place to stop, off the highway and away from traffic.
-  Apply the Electric Parking Brake (EPB) and engage Park (P).
-  Switch on the hazard warning lamps.



Place a warning triangle at a suitable distance behind the vehicle, facing towards oncoming traffic.



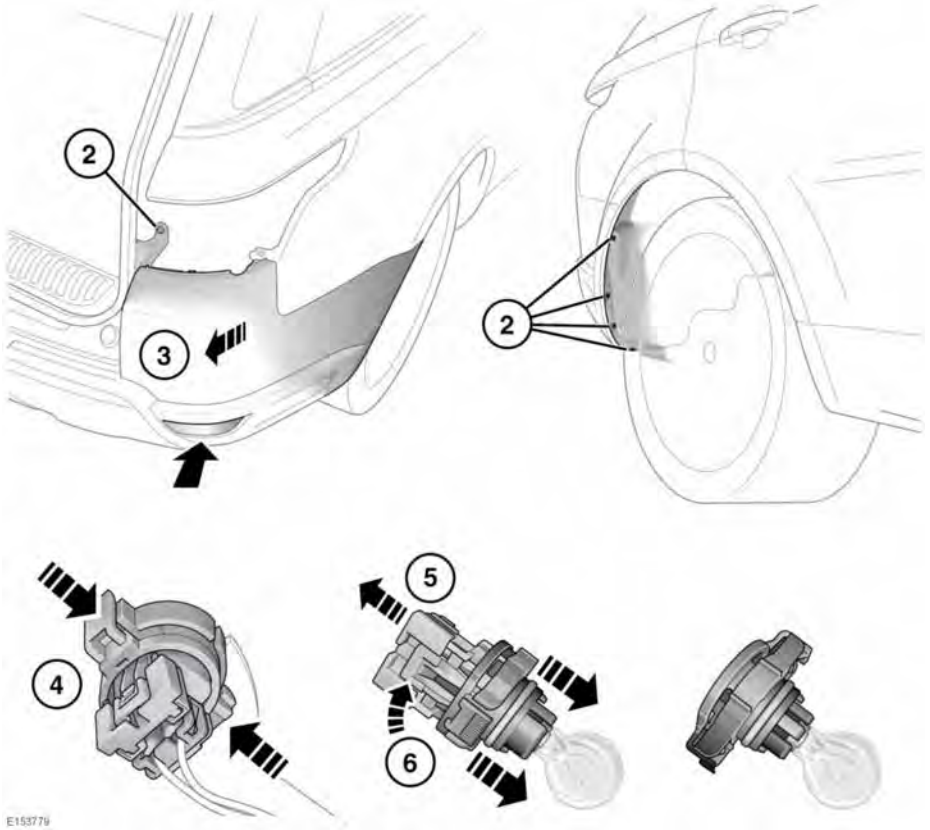
Disconnect any trailer/caravan from the vehicle.



Make sure all passengers and animals, are out of the vehicle and in a safe place away from the roadside.



If the vehicle has been driven recently, do not touch the exhaust system components until they have cooled.



E153776

Access to a rear fog lamp housing is from above and behind the rear bumper. The bulb holder is a black plastic unit that incorporates the bulb.

Set the Air suspension to the Off-road height position, for increased access to the bumper fixings. See **133, OFF-ROAD HEIGHT**.

1. Remove the rear lamp unit. See **261, REAR LAMP REMOVAL**.
2. Remove the 5 fixings from the bumper.

3. Gently and evenly pull the bumper to release the 8 securing clips from the wing panel.

! Do not use excessive force, as this may cause damage to the vehicle.

Note: Only limited movement is required to allow access to the rear of the fog lamp unit.

4. To remove the bulb holder, press in the outer wings on the black plastic unit and pull the holder free of the housing.