

Set the Air suspension to the Off-road height position, for increased access to the bumper fixings. See **133, OFF-ROAD HEIGHT**.

1. Remove the under bonnet access cover next to the headlamp to be removed. See **257, UNDER BONNET COVERS - REMOVAL**.
2. Remove the 4 securing clips from the grille.
3. Gently and evenly pull the grille forwards to release the 4 lower clips and remove the grille. Place the grille where it will not be damaged.
4. Remove the fixing and release the covering trim.
5. Remove the 3 retaining bolts from the headlamp.
6. Using a suitable tool, gently apply downward pressure to release the securing clip.

⚠ Do not attempt to remove the headlamp at this stage.

7. Remove the fixing from the wing splash shield.
8. Gently pull the splash shield rearward for access.
9. Remove the bumper securing screw.
10. Gently and evenly pull the edge of the bumper to release the 3 securing clips from the wing panel.

⚠ Do not use excessive force, as this may cause damage to the vehicle.

Note: Only limited movement is required to separate the upper edge of the bumper from the lower edge of the headlamp.

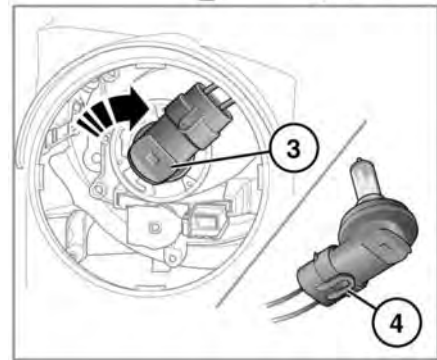
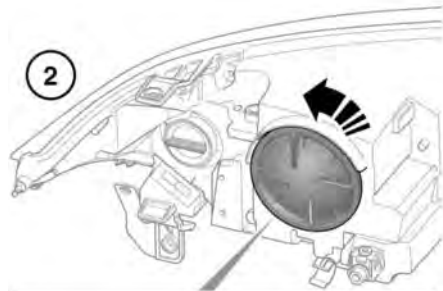
11. Release the electrical connectors and remove the headlamp.

Place face down on a flat surface covered in a soft material, to prevent damage.

Note: Refitting of the headlamp unit is the reverse of the removal process.

HALOGEN BULBS

- ⚠ Take care not to touch this type of bulb with your fingers. Always use a cloth to handle them. If necessary, clean the bulb with methylated spirits to remove any fingerprints.



E 151046

1. Release the headlamp to gain access. See **259, HEADLAMP REMOVAL**.
2. At the rear of the headlamp unit, remove the cover. Turn it counter-clockwise to release.