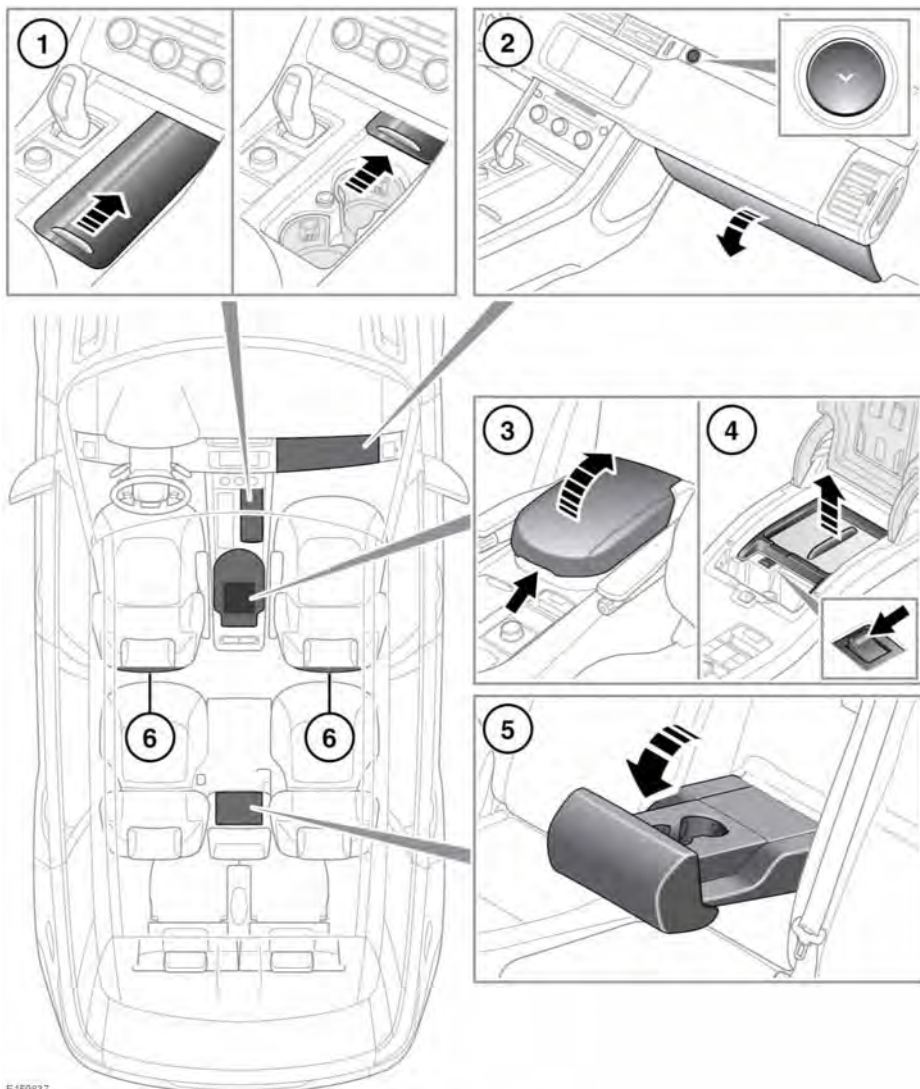


STORAGE COMPARTMENTS



Storage compartments



Make sure any items stored in the vehicle are secure and cannot move. If the vehicle is involved in an accident, subject to sudden braking or a change of direction, loose items can cause serious injury.



Do not drink or use the cup holders when driving.

1. Front cup holders: Slide the panel open to access. Press and release to close.
2. Glovebox.
3. Centre console storage/cool box.

Note: The rubber mat at the bottom of the centre console is designed to hold CD cases.

4. Cool box: Switch ON or OFF using the switch on the inside of the front lip. There is a short delay between pressing the switch and illumination of the indicator.
The cool box works best when the cooling tray is used.

Note: The cool box only operates with the ignition switched ON.

Note: The cool box is not a refrigerator and will not reach the low temperatures attained by a refrigerator. Repeated or prolonged opening of the cool box will reduce its ability to maintain temperature.



The cool box should be switched OFF when it is not needed, to preserve battery charge.

5. Rear seat cup holders: Fold the centre armrest down.
6. Map pockets.