

For a list of compatible **Bluetooth** wireless technology devices, please refer to the Land Rover website at:

[www.landrover.com](http://www.landrover.com).

The **Bluetooth** wireless technology devices listed have been tested for compatibility with these vehicles. Performance will vary, based on the device's software version and battery condition. Devices are warranted by their manufacturer, not by the vehicle's warranty.

## CONNECTING A DEVICE

❗ Read the manufacturer's instructions for any device, before it is connected to the Audio system. Make sure that the device is suitable, and comply with any instructions regarding connection and operation. Failure to do so may result in damage to the vehicle's Audio system or the auxiliary device.

❗ Do not plug non-audio devices into the USB port.

❗ Always refit the rubber cover when a portable device is not plugged in. This prevents damage to the sockets. The cover is not waterproof.

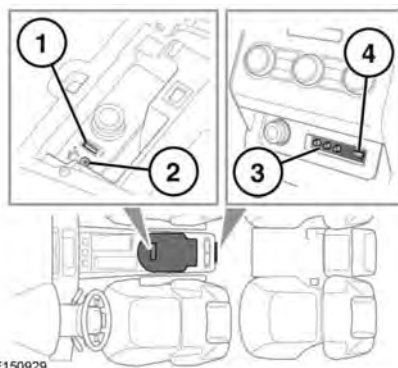
**Note:** Use the cable supplied with your media device to connect to the USB socket.

**Note:** A USB hub cannot be used to connect more than one USB device to the audio unit.

**Note:** Devices connected to the USB ports will be charged, but devices that are fully discharged will not play.

**Note:** In some cases, if an iPhone is connected via a USB cable for music and also to a **Bluetooth**® wireless technology device for other phone functions, the Audio will stream through only the last connected port. For example, if a **Bluetooth**® wireless technology device is the last connection made to the iPhone and the iPod lead is connected, no audio will be heard through the speakers via the iPod lead. Track title and time information will still be shown on the display. Audio output from the speakers will only be obtained if the user chooses audio mode on the **Bluetooth**® wireless technology device. To address this issue, disconnect and reconnect your device's USB cable, or open the iPod application on the iPhone, select the **Bluetooth** icon and select **Dock connector** on the pop-up.

**Note:** iPod and iPhone are trademarks of Apple Inc., registered in the U.S. and other countries.



Connect the device into the appropriate socket.

1. USB sockets.
2. 3.5 mm AUX socket.