

**Note:** Global closing can be enabled and disabled via the **Vehicle Set-up** Instrument panel menu. See **53, INSTRUMENT PANEL MENU**.

## BATTERY BACK-UP SOUNDER

In some markets, a separate battery back-up sounder is fitted. This device will sound the alarm if the vehicle's battery or the alarm sounder, is disconnected when the security system is armed.

## TILT SENSOR

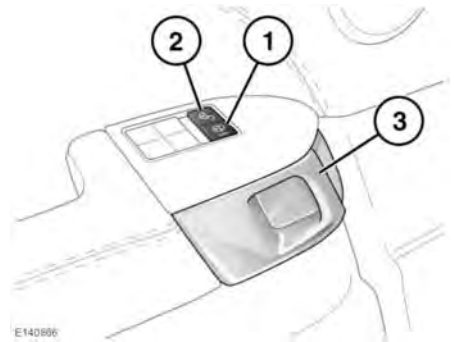
If fitted and armed, the Tilt sensor detects any change in the vehicle's angle to the ground. When the alarm is armed and the vehicle is Double locked, a significant change in the vehicle's angle activates the alarm.

**Note:** The Tilt sensor is an alarm sensor. The **Alarm Sensors** can be enabled/disabled (for one alarm cycle only) via the **Vehicle Set-up** menu. See **53, INSTRUMENT PANEL MENU**.

## DOOR LOCKS AND RELEASE LEVERS



While a door is open, the locking latch is exposed. If your vehicle is fitted with the soft close feature, do not attempt to manually close the latch, as it may also automatically soft close and trap items or body parts.



1. Press to lock. With all of the doors closed, press a lock switch to lock all of the doors.
2. Press to unlock: Press an unlock switch to unlock all of the doors and the tailgate. Alternatively, pull either front door release lever (3) once to unlock all of the doors.
3. Pull to unlock and open a front door. To unlock a rear door, pull the individual release lever.

**Note:** If the vehicle is locked with the Smart key, operating an interior door release lever unlocks only that door. If the door is opened, the alarm sounds.

**Note:** The rear door Child safety locks inhibit the rear door lock and unlock switches and the door release handles. See **38, CHILD SAFETY LOCKS**.