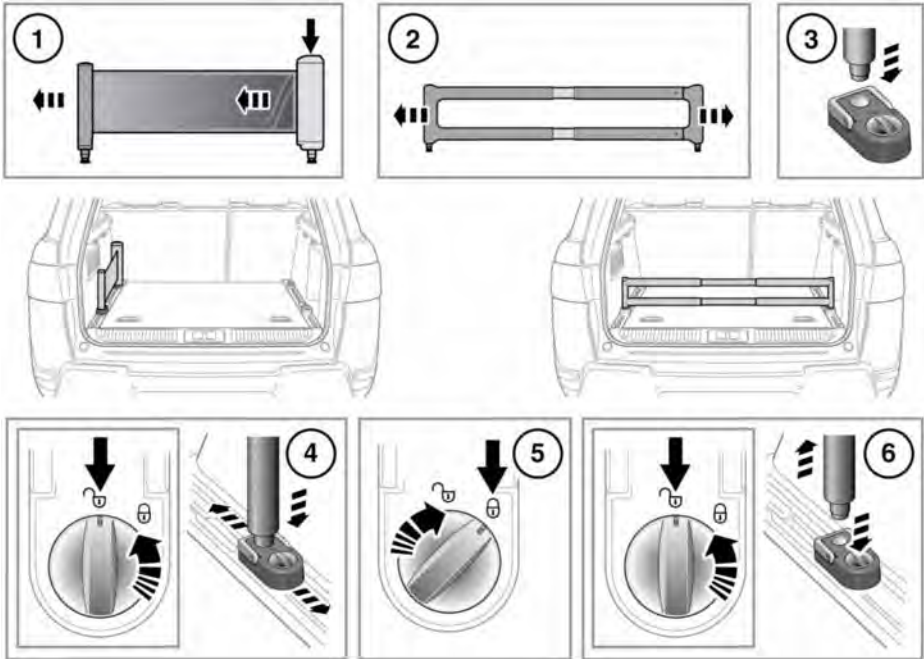


LUGGAGE DIVIDER

A luggage divider kit is provided, to assist with safely securing items of luggage to the loadspace floor.

Floor mounted luggage rails provide a full width mounting channel that accommodates a flexible retracting band or a solid telescopic divider, to retain soft and hard luggage of all shapes and sizes.



E150873

1. Press and then pull the retracting band, until the required length is reached.
Note: The retracting band should only be used along the side of the loadspace floor, as illustrated.
2. Adjust the divider to the required length.
3. Unlock the appropriate lashing eye and attach the retracting band/divider.
4. With the lashing eye in the unlocked position, press the button and slide to the required position in the luggage rail.
5. Lock the lashing eye in the required position.
6. To remove the retracting band/divider from the lashing eye, unlock the lashing eye and press the lock/unlock button to release.