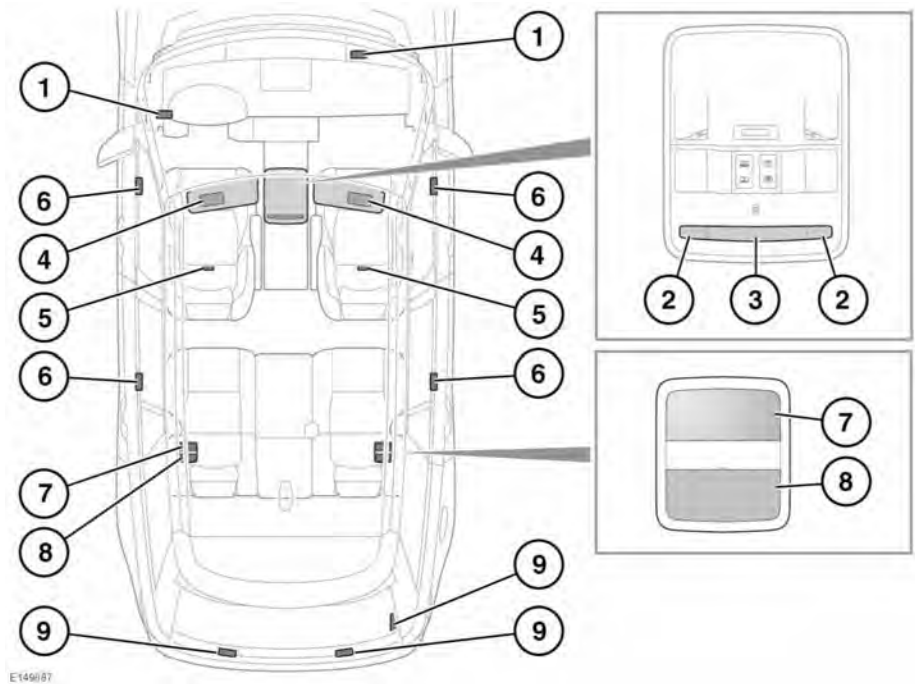


INTERIOR LIGHTS



E145/07

1. Front seat footwell lamps: Automatically illuminate when the doors are opened, or the courtesy lamps are switched on manually.
2. Front reading lamps: Touch the left or right side of the sensor lens briefly, to switch on/off.
Note: To complete the operation, move your finger at least 20 mm from the lens.
3. Front courtesy lamp: Touch the centre of the sensor lens briefly to switch on/off. To switch automatic illumination on or off, hold your finger on the lens until the lamp flashes.
4. Vanity mirror lamp: Slide the cover open/shut for on/off.
5. Rear seat footwell lamps: Automatically illuminate when the doors are opened.
6. Puddle lamps: Automatically illuminate when the doors are opened.
7. Rear reading lamps: Touch the lens briefly to switch on/off.

Note: To complete the operation, move your finger at least 20 mm from the lens.

In Auto mode, the lamps will illuminate when a door is opened.