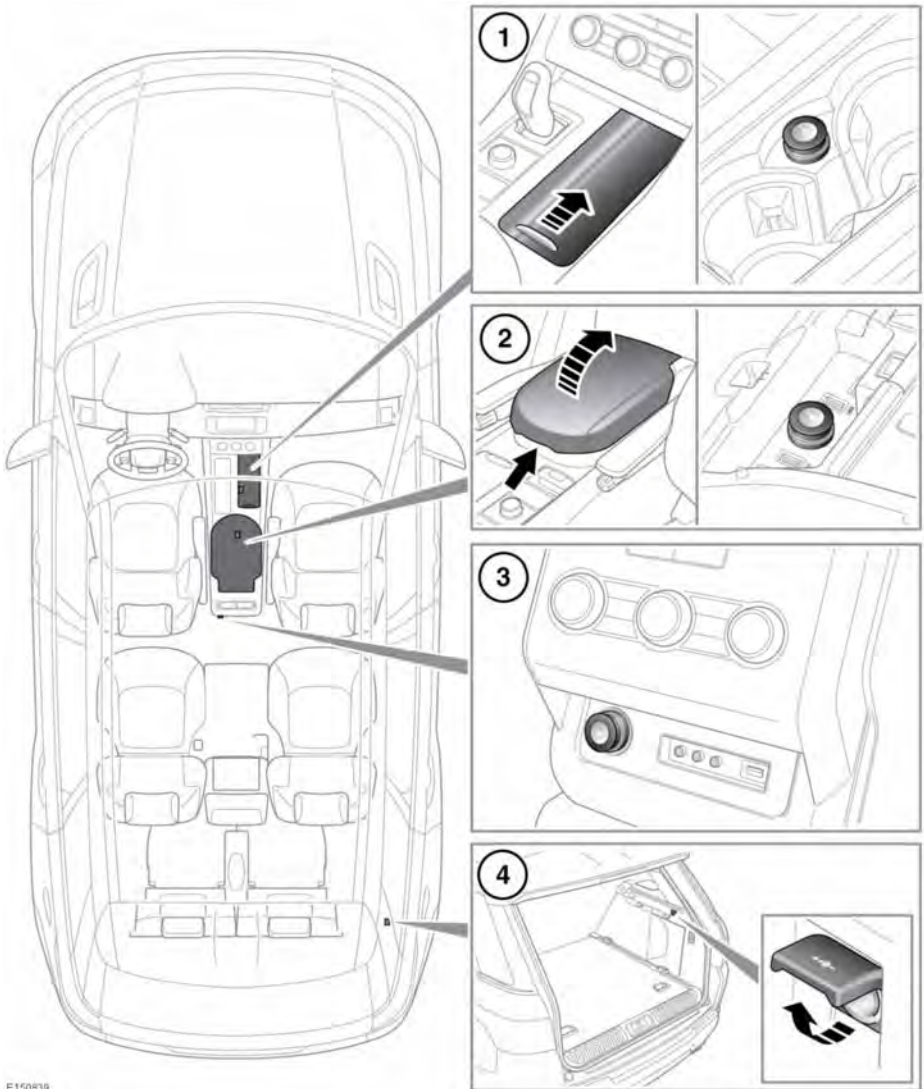


AUXILIARY POWER SOCKETS



E150839

1. Front power socket.
2. Centre console power socket.
3. Rear power socket.
4. Loadspace power socket.

Storage compartments

- ⓘ Only use Land Rover approved accessories. Using any other equipment may damage the vehicle's electrical system. If you are in any doubt, contact a Retailer/ Authorised Repairer.
- ⓘ The engine should be running when using accessories for long periods. Failure to do so can discharge the battery.

Note: *Power sockets can be used to power approved accessories that use a maximum of 180 Watts.*