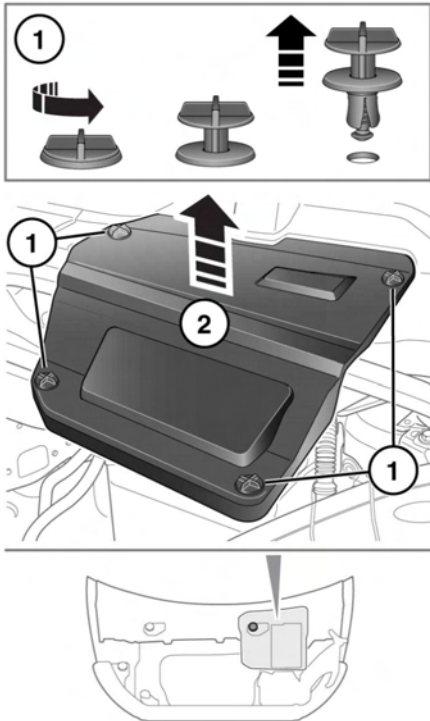


UNDER BONNET COVERS - REMOVAL

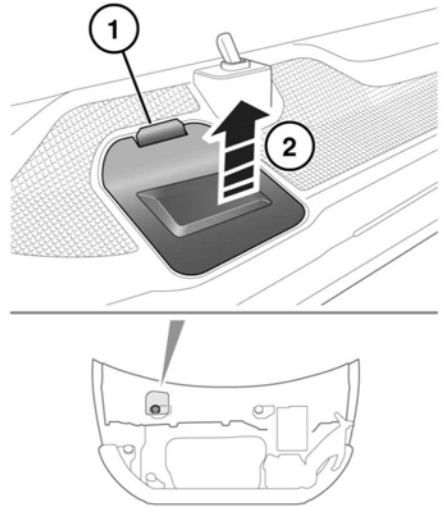
Left-side under bonnet cover



E165372

1. Unscrew the turnbuckles clips counter-clockwise and remove.
2. Lift the front edge of the cover and slide it forwards to remove.

Right-side under bonnet cover



E165373

1. Pull the cover securing catch towards the front of the vehicle, to release.
2. While still holding the cover securing catch, lift up the edge of the cover to remove.

UNDER BONNET COVERS - REFITTING

Left-side under bonnet cover

! Before refitting the under bonnet cover, make sure no pipes, cables or other items, have been trapped between the cover and the casing.

1. Place the under bonnet cover over the casing, making sure that all of the holes are aligned.
2. Push the cover down firmly and screw the turnbuckle clips clockwise to tighten.