

- ❗ Do not attempt to raise the second row seats into the upright position, or tip them forward for third row access, while the loadspace cover is stowed behind the second row seats, as damage will result.

4. To refit the cover assembly, engage the left side into the recessed area, then engage the right side, push down into place until a audible click is heard.

## ROOF RACKS AND LOAD CARRIERS

- ❗ **A loaded roof rack can reduce the stability of the vehicle, particularly when cornering and during crosswinds.**
- ❗ **Driving off-road with a loaded roof rack is not recommended.**

Fit only a roof rack system that is designed for use with your vehicle. For further information, consult your Dealer/Authorised Repairer.

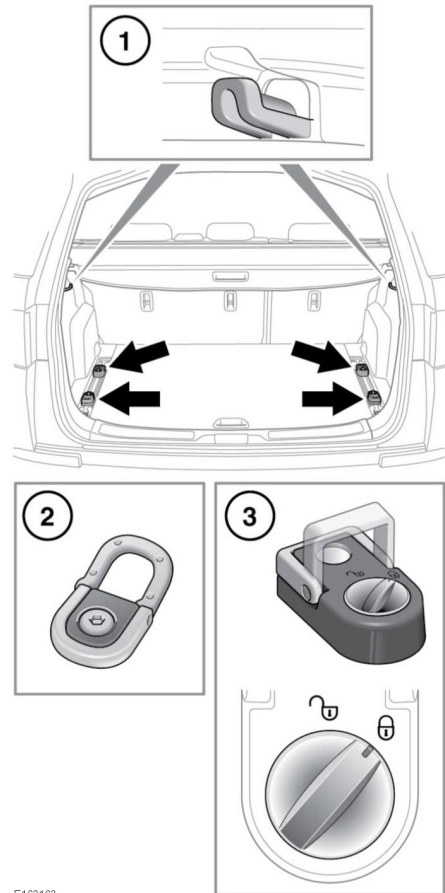
The maximum load for a Land Rover approved roof rack system is 75 kg (165 lb) while driving on-road. Off-road driving reduces the limit to 50 kg (110 lb). The weight of the approved roof rack system is not calculated as part of the load.

If an alternative roof rack system is used, the weight of that system must be included as part of the load weight.

Loads must be evenly distributed without overhanging the rack. After travelling 50 km (30 miles), check the security of the roof rack and any load.

## LUGGAGE ANCHOR POINTS

- ❗ **All items carried in the luggage area should be properly secured.**



1. Bag hooks: The bag hooks should only be used for light weight items.
2. Fixed lashing eyes: Use to assist in safely securing large items.

E163163

## Load carrying

- Adjustable lashing eyes: First turn the locking button counter-clockwise to unlock. Press the button and slide to the required position in the adjusting rail. Release the button to latch into position. Move the lashing eye slightly until you hear a click. The lashing eye is now secured. Turn the button clockwise to lock.

**Note:** A range of approved luggage retention accessories is available from your Dealer/Authorised Repairer.