

# Towing

- When calculating the laden weight of the trailer, remember to include the weight of the trailer, plus the weight of the load.
- If the load can be divided between the vehicle and trailer, loading more weight into the vehicle will generally improve stability. Do not exceed the vehicle's weight limits.
- Increase the rear tyre pressures on the towing vehicle to those for maximum vehicle loading conditions.
- Make sure that a suitable breakaway cable, safety chain or secondary coupling is used. Refer to the trailer manufacturer's instructions for guidance.
- Always connect the breakaway cable or safety chain to the provided connection point. Do not loop it over the tow ball.
- Make sure that the tow ball is secure.
- Check the operation of all trailer lights.

## TOWING A TRAILER



**Never exceed the maximum weights for either the vehicle, or the trailer. Doing so can cause accelerated wear and damage to the vehicle. It can also adversely affect vehicle stability and braking, which in turn can lead to a loss of control and an increased braking distance, resulting in a rollover or crash.**



**To preserve handling and stability, only fit Land Rover approved towing accessories.**



**Never use towing eyes or lashing points to tow a trailer. They have not been designed for this purpose and doing so may cause them to fail, resulting in injury or death.**

**Note:** A reduction in the performance of the air conditioning system is a normal function under high load towing conditions.

**Note:** Engine power output always reduces with increased altitude. At 1000 metres above sea level and for every additional 1000 metres, deduct 10% from the Gross Train Weight (GTW). See **250, WEIGHTS**.

The Touch screen can display a rear view to assist with the reversing of the vehicle with a trailer attached. See **130, SURROUND CAMERA SYSTEM** and also **96, TOW ASSIST**.

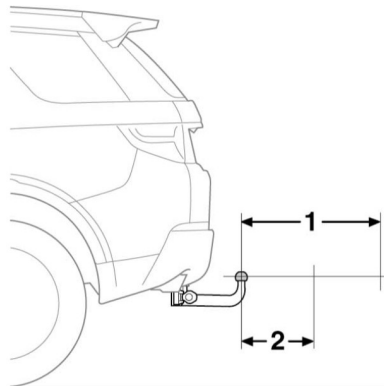
## TOW BAR MOUNTED ACCESSORIES



Before fitting a tow bar mounted accessory, make sure it has been approved for use on Land Rover vehicles.

The use of unsuitable equipment can result in severe damage to the towing bracket.

Before fitting an accessory to the tow bar, observe the following guidelines:



E166369

1. The attached accessory must not protrude more than 700 mm (27.5 ins) from the tow ball.
2. The centre of gravity of the mounted equipment and load combined should not exceed a distance of 390 mm (15.5 ins) from the ball. The maximum weight at this distance must not exceed 82.4 kg (182 lb).

**Note:** *The forces exerted by trailer nose load and tow ball mounted accessories are different in nature and, therefore, a separate limit applies to both.*

**Note:** *Only use a Land Rover approved bicycle rack catering for a maximum of 4 bicycles.*