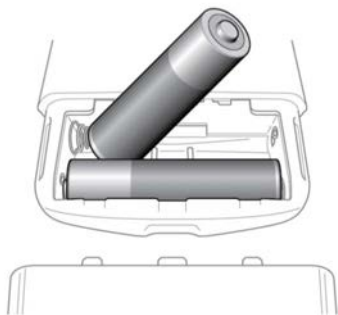


2. Press to change the audio channel.
3. Rotate to adjust the headphone's volume.

REAR MEDIA REMOTE CONTROL BATTERY



E152605

Low battery power is indicated by the remote control power button flashing 3 times when pressed. To renew the batteries:

- Remove the chrome battery cover.
- Install 2 AAA batteries. Make sure the polarity of the batteries matches that shown inside the remote control battery compartment.

Note: The remote control will not operate if the batteries are fitted incorrectly.

Note: Always use good quality batteries of the same type.

- Replace the chrome battery cover.



Battery disposal: Used batteries must be disposed of correctly, as they contain harmful substances. Seek advice on disposal from your Dealer/Authorised Repairer and/or your local authority.