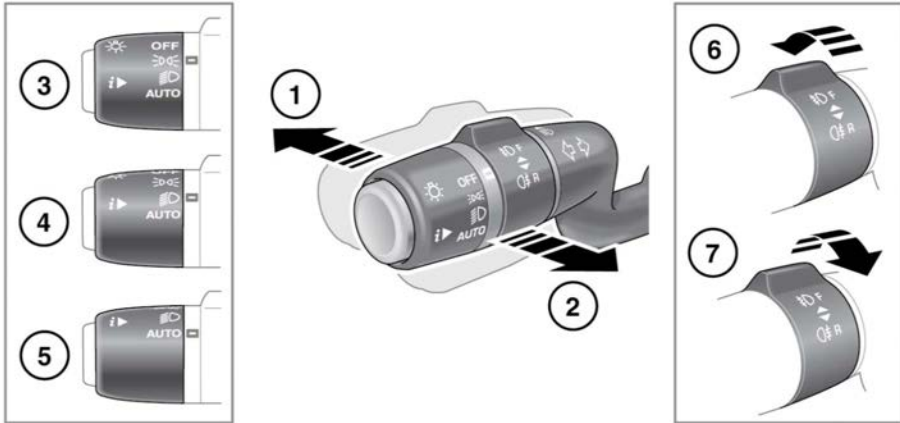


LIGHTING CONTROL



E160313

1. With the headlamps on, push the control away from the steering wheel to select high beam. The warning lamp will illuminate. See **36, HIGH BEAM (BLUE)**.

Note: Do not use high beam where it may distract or dazzle other road users.

2. Pull the control towards the steering wheel and release to flash the high beam on and off. The high beam will remain on for as long as the switch is held.
3. Side lamps.
4. Headlamps.
5. **AUTO:** With Auto lamps selected, when ambient light fades and the ignition is on, the side lamps, tail lamps, dipped beam headlamps, and number plate lamps will switch on automatically. Headlamp courtesy delay and Windscreen wiper detection may also be activated.

Note: Low ambient light levels, caused by adverse weather conditions, may also cause Auto lamps to activate.

6. **Front fog lamps:** Will operate only while side lamps, headlamps or Auto lamps are selected. Rotate the collar away from the steering wheel and release. The Instrument panel warning lamp will illuminate. See **36, FRONT FOG LAMPS (GREEN)**.
To turn off the Front fog lamps, rotate the collar away from the steering wheel again and release. The warning lamp will extinguish.
7. **Rear fog lamps:** Will operate only while side lamps, headlamps or Auto lamps are selected. Rotate the collar towards the steering wheel and release. The Instrument panel warning lamp will illuminate. See **36, REAR FOG LAMP (AMBER)**.
To turn off the Rear fog lamps, rotate the collar towards the steering wheel again and release. The warning lamp will extinguish.

DAYTIME RUNNING LAMPS

With the lighting control in the Off position, Daytime running lamps will switch on automatically under the following conditions: