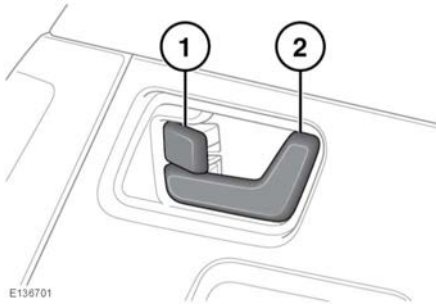


Press and hold the lock button on the Smart key for 3 seconds. The vehicle will Single lock and the full alarm will be activated immediately. After 3 seconds, any open windows will be closed.

DOOR LOCKS AND RELEASE LEVERS



From inside the vehicle, all of the doors can be locked by pressing either the driver or passenger lock lever (1).

Each rear door can be individually locked by pressing the appropriate locking lever.

To unlock and open a front door, pull the door handle (2). To unlock and open a rear door, first operate the lock lever, then pull the door handle.

MISLOCK

When locking the vehicle with the Smart key, a mislock can occur if:

- One or more of the doors, the bonnet or the taildoor is not fully closed.
- The ignition is ON.
- A Smart key is left in the vehicle.

If any of the above are present, the vehicle will fail to lock and the horn will sound. Check that all of the doors, the bonnet and the taildoor are closed properly and lock the vehicle again. If the mislock persists, consult your Dealer/Authorised Repairer.