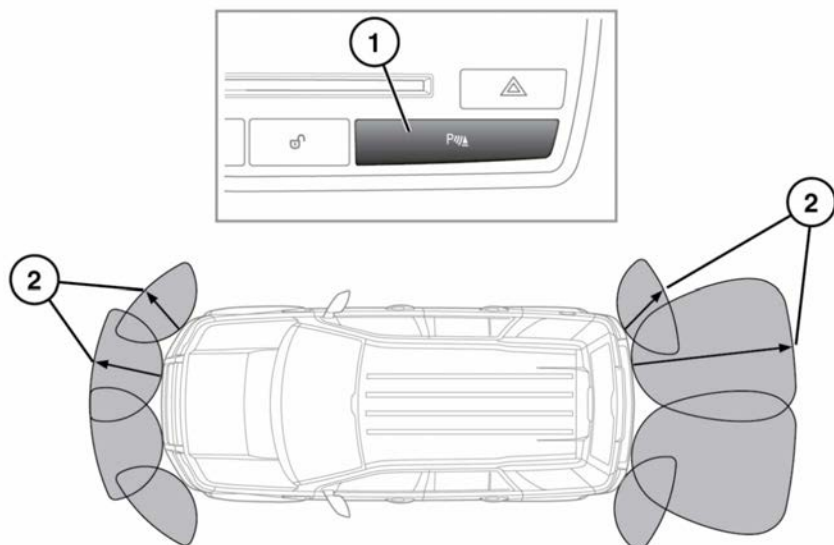


## USING THE PARKING AID



E145758

**⚠** Parking aids may not detect moving objects, such as children and animals, until they are dangerously close. Always use extreme caution when manoeuvring.

**ⓘ** The Park Distance Control (PDC) sensors may not detect some obstructions (for example, narrow posts or small objects close to the ground).

**Note:** The rear sensors are automatically disabled when a trailer is connected.

1. When Reverse (R) is selected, the front and rear parking sensors are activated automatically, and the switch indicator will illuminate.

To manually activate the front sensors, press the PDC button. The button indicator will illuminate to confirm.

To turn off the system when active, press the button. The button indicator will extinguish to confirm.

2. The range of the Parking aid sensors varies between the front, rear, and corners of the vehicle.

The front sensors will remain active, as long as the vehicle's forward speed does not exceed 16 km/h (10 mph).

Selecting Neutral (N) from R will keep the front and rear sensors active.