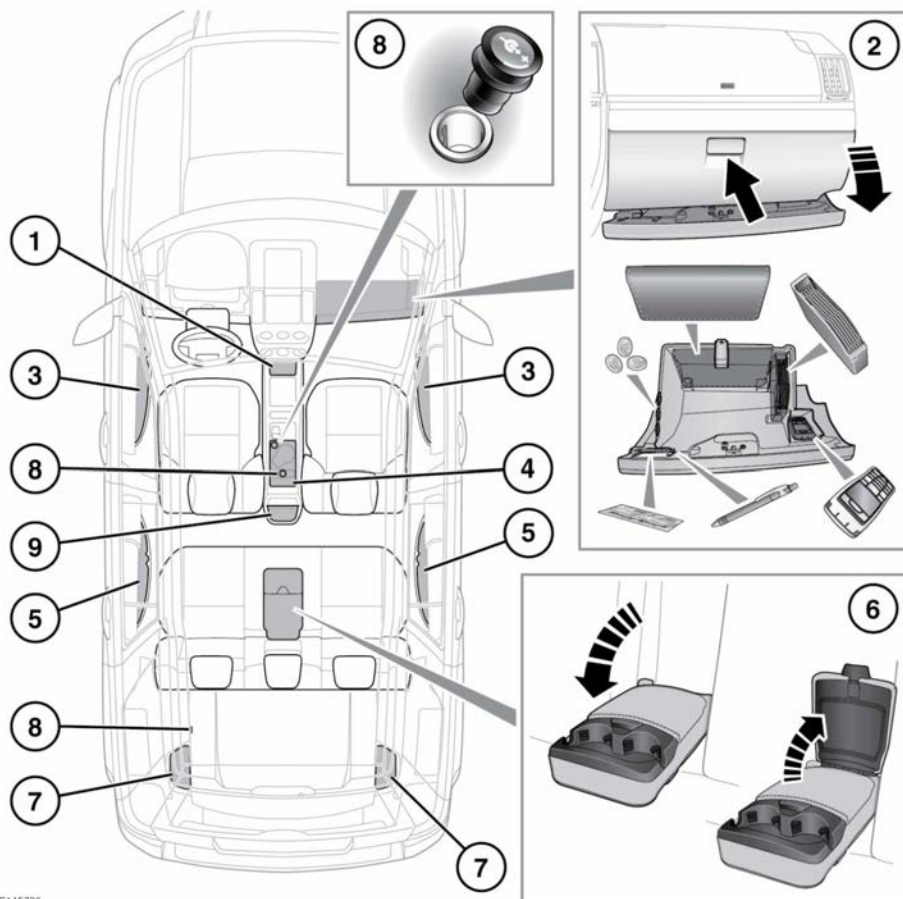




Storage compartments

STORAGE COMPARTMENTS



E145706

 **Make sure that any items stored in the vehicle are secure and cannot move. If the vehicle is involved in an accident, or subject to sudden braking or direction change, loose items can cause serious injury.**

 **Do not drink, or use the cup holders when driving.**

1. Storage tray.

2. Glove box.

3. Front door bottle holders.

4. Storage tray.



5. Rear door bottle holders.

6. Rear compartment and cup holders.

7. Additional storage.

8. Power sockets.

9. Centre console storage.

-  Only use Land Rover approved accessories. Using any other equipment may damage the vehicle's electrical system. If you are in any doubt, contact a Dealer/Authorised Repairer.
-  The engine should be running when using accessories for long periods. Failure to do so can discharge the battery.

Note: *Power sockets can be used to power approved accessories that use a maximum of 180 Watts.*