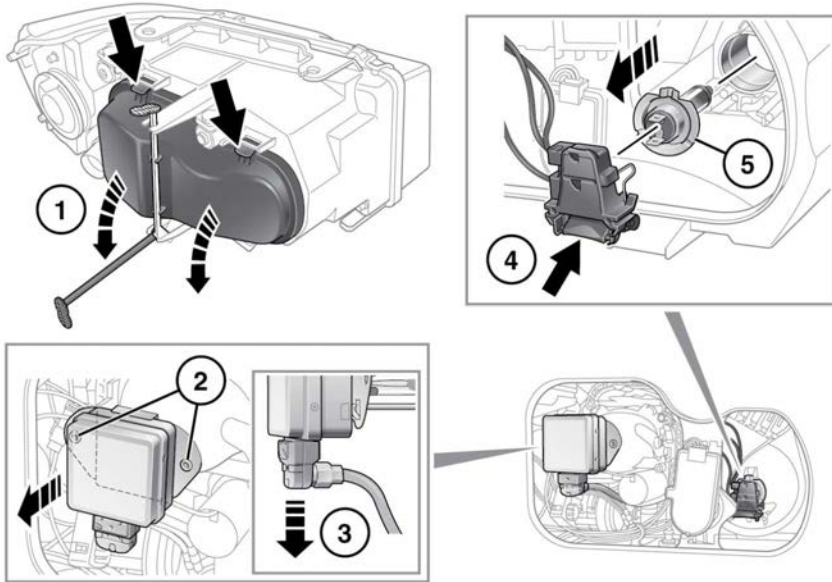


HEADLAMP BULB REPLACEMENT

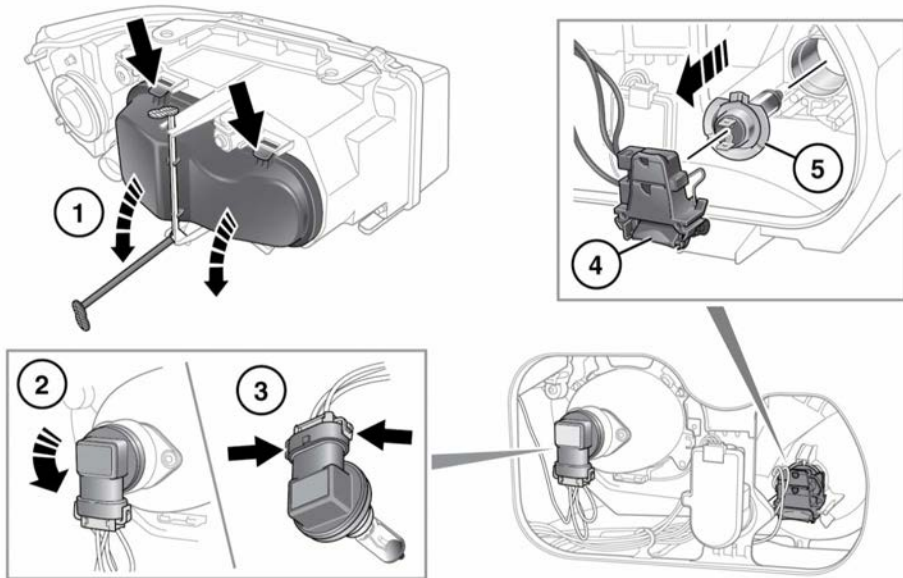
Combined xenon and halogen




E136812

1. Unclip the locking lever, press down the 2 tabs and remove the cover.
2. Undo the 2 retaining screws and remove the xenon unit.
3. Remove the connector from the xenon unit.
4. Pull the connector off of the halogen bulb.
5. Unclip the halogen bulb and remove it from the unit.

Halogen Only



E136813

1. Unclip the locking lever, press down the 2 tabs and remove the cover.
2. Pull the halogen dipped beam connector off of the bulb.
-  Take care not to touch this type of bulb with your fingers; always use a cloth to handle them. If necessary, clean the bulb with methylated spirits to remove fingerprints.
3. Unclip the bulb and remove it from the unit.
4. Pull the main beam connector off of the bulb.
5. Unclip the bulb and remove it from the unit.