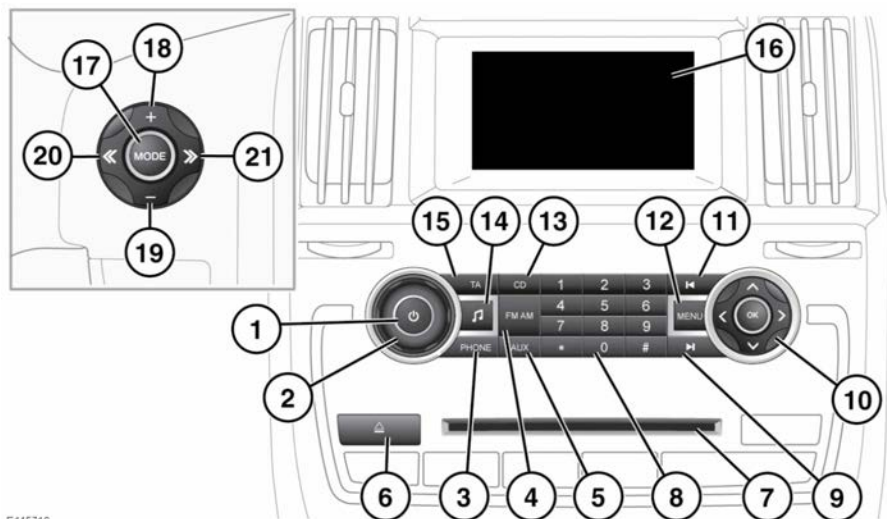


STANDARD AUDIO SYSTEM CONTROLS



E145710

⚠ Sustained exposure to high sound levels can damage your hearing.

Note: The maximum volume level will be restricted if the audio unit is used with the engine switched off.

1. Audio system on/off: Press to switch on and off.

Note: The Audio system will switch off automatically after 10 minutes if the ignition is turned off.

2. Volume control: Rotate to adjust the volume.
Note: The maximum volume level will be restricted if the Audio system is used with the engine switched off.
3. **PHONE:** Press to select the telephone menu. See **134, TELEPHONE SYSTEM.**
4. **FM/AM:** waveband select (**FM, FMAST, AM, AMAST**, plus if fitted **DAB1, DAB2**).
5. **AUX** input select.

6. CD eject button.
7. CD loading slot.
8. Keypad.
9. Seek up:
Short press to select the next station upward in frequency, or to select the next track on the chosen audio source.
Long press to enter radio manual seek mode, or to scan forward through a CD track.
In radio manual seek mode, further short presses will change the frequency in single increments.
10. **OK** and menu navigation control:
Use the menu navigation control to move to any menu cursor/highlight. When the required option is highlighted, press the **OK** button to select.
11. Seek down: