

Note: A range of approved luggage retention accessories are available from your Dealer/Authorised Repairer.

LOADSPACE FLOOR

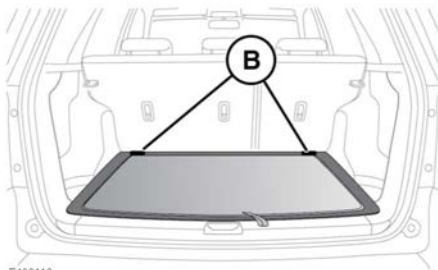
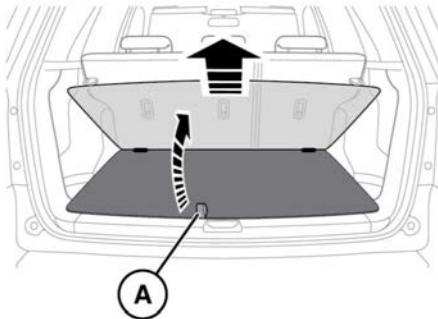


When removing or replacing the loadspace floor, take care to avoid getting your hands or fingers trapped between the floor panel and the vehicle.



When removing or replacing the loadspace floor, make sure children and pets are kept at a safe distance to avoid injury.

The loadspace floor is reversible to allow for a choice of carpeted or hard surfaces to be made.



E139446

To reverse the loadspace floor:

1. Using the finger loop (A), raise the floor panel.

2. Pull the panel towards the rear of the vehicle, to release it from the retaining channels (B).
3. Reverse the floor, relocate in the retaining channels (B) and lower into position.