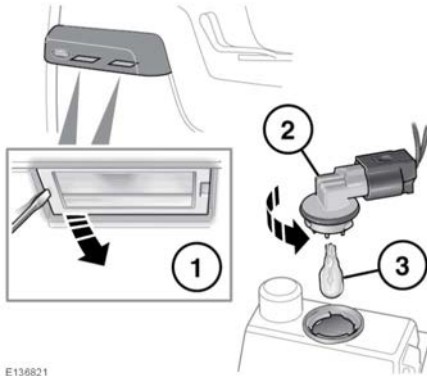


2. Twist the bulb holder anticlockwise.
3. Remove the bulb from the bulb holder.

## LICENCE PLATE LAMP BULB REPLACEMENT



1. Carefully remove the lamp unit using a suitable tool.
2. Twist the bulb holder anticlockwise.
3. Remove the bulb from the bulb holder.