

- Touch and hold to scan backwards through the current track. Playback will resume when the soft key is released.

PORTABLE MEDIA CONNECTIONS

Portable media devices can be connected to the media hub, located in the cubby box. Rear seat passengers can connect at the rear of the centre console. Compatible portable devices include:

- USB mass storage devices (for example, a memory stick). Devices must use FAT or FAT32 file format.
- iPod (iPod Classic, iPod Touch, iPhone, and iPod Nano are supported - full functionality for older devices cannot be guaranteed). iPod Shuffle functionality cannot be guaranteed.
- Auxiliary device (personal audio, MP3 players, all iPods).

Note: Auxiliary devices have no Touch screen control.

If you are connecting an iPod, mass storage or **Bluetooth®** wireless technology device, use the Touch screen to operate and search the device. Many of the controls are similar to those available for CD play.

- ⓘ Please disconnect your iPod when leaving the vehicle. Failure to do so, may result in the iPod battery discharging.

Note: The Audio system will play MP3, WMA, and AAC files.

To maximise playback quality, it is recommended that lossless compression is used for any media files on USB or iPod. Failing this, it is recommended that compressed files utilise a minimum bitrate of 192 kb/s (a higher bitrate is strongly recommended).

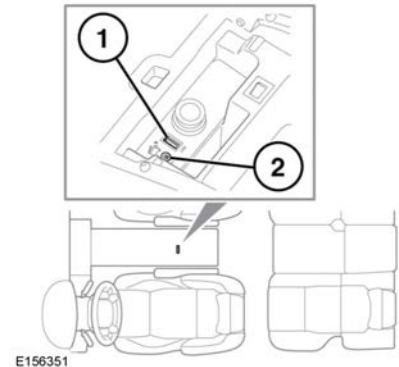
Note: iPod is a trademark of Apple Computer Inc., registered in the US and other countries.

Note: Some MP3 players have their own file system that is not supported by this system. To use your MP3 player, you must set it to USB Removable Device or Mass Storage Device mode. Only music that has been added to the device in this mode can be played.

For a list of compatible **Bluetooth®** wireless technology devices, please refer to the Land Rover website at: www.landrover.com.

The **Bluetooth®** wireless technology devices listed have been tested for compatibility with Land Rover vehicles. Performance will vary, based on the device's software version and battery condition. Devices are warranted by their manufacturer; not Land Rover.

CONNECTING A DEVICE



- ⓘ Read the manufacturer's instructions for any device, before it is connected to the Audio system. Make sure the device is suitable and that you comply with any instructions regarding connection and operation. Failure to do so, may result in damage to the vehicle's Audio system or the auxiliary device.

Connect the device into the appropriate socket.

1. USB socket.