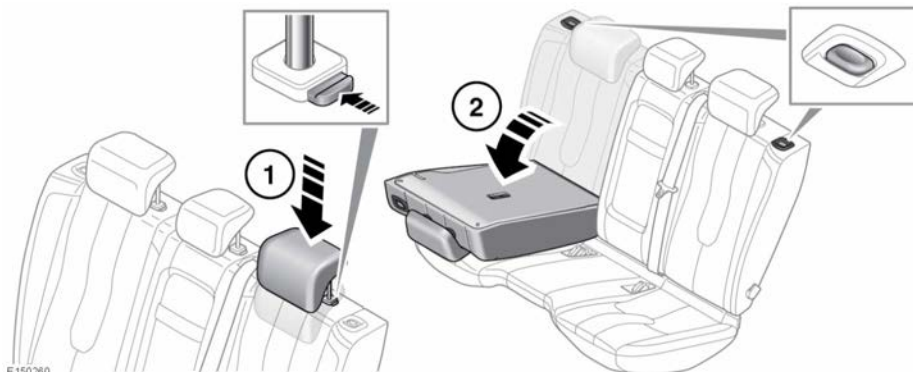


FOLDING AND RAISING THE REAR SEATS



The split fold rear seat of 5 door models can be folded completely, or partially at 60/40 split, to accommodate loads and still retain seating for passengers.

To fold part or all of the seat:

1. First press in the adjusting collar then fully lower the head restraints.

Note: *Adjusting collar positions are dependent on the seat position. Right side position, collar at base of the right pillar. Left and centre positions, collar on the left side.*

2. Press a seatback release button, then fold the appropriate seatback fully forward.

Raising a folded seat is a reversal of the folding process.

When the seatback is fully raised and locked into position, the release/locking button will pop up.

Coupe rear seat folding

If a seat fold is required, the smaller part must be folded first. The larger part can then be folded.

Raising the Coupe folded seats is a reversal of the folding process. Make sure the release/locking button relocates into the correct position.



Make sure that when the seatback is raised, the locking mechanism is fully engaged. If the seatbacks are not fully locked in place, red markers will be visible around the seatback release buttons.