


1. Pull the bonnet release lever.
2. Lift the bonnet safety catch and raise the bonnet.
3. Release the bonnet support stay.
4. Fit the support stay into the slotted hole in the underside of the bonnet.

CLOSING THE BONNET

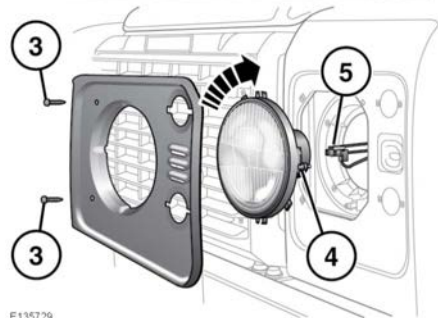
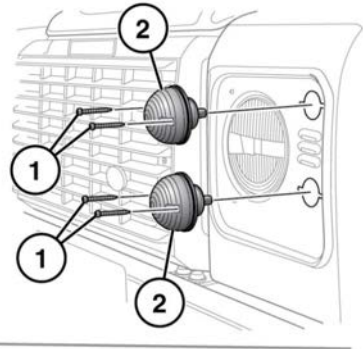
1. Take hold of the support stay and lift the bonnet slightly.
2. Fix the support stay into its retaining clip on the bonnet locking platform.
3. Lower the bonnet, allowing it to drop the last 30 cm (12 inches). Check that the catch is fully engaged. The front edge of the bonnet should be free of movement.

CHANGING A BULB

 Always replace bulbs with the correct type and specification. If you are in any doubt contact your Land Rover Dealer/Authorised Repairer for advice.

Note: In certain territories it is a legal requirement to carry spare bulbs. A replacement bulb kit is available as an approved accessory from your Land Rover Dealer/Authorised Repairer.

HEADLAMP REMOVAL



E135729

In order to change a headlamp unit bulb, you must first remove the headlamp unit:

1. Undo and remove the 4 retaining screws.
2. Move the lamps forward and release from the electrical connectors.
3. Undo and remove the 2 retaining screws. Remove the plastic finisher.
4. Undo and remove the headlamp retaining screw. Rotate the headlamp clockwise to disengage then lift out.
5. Disconnect the electrical plug from the back of the headlamp by pressing in the locking tab and pulling the connector out.