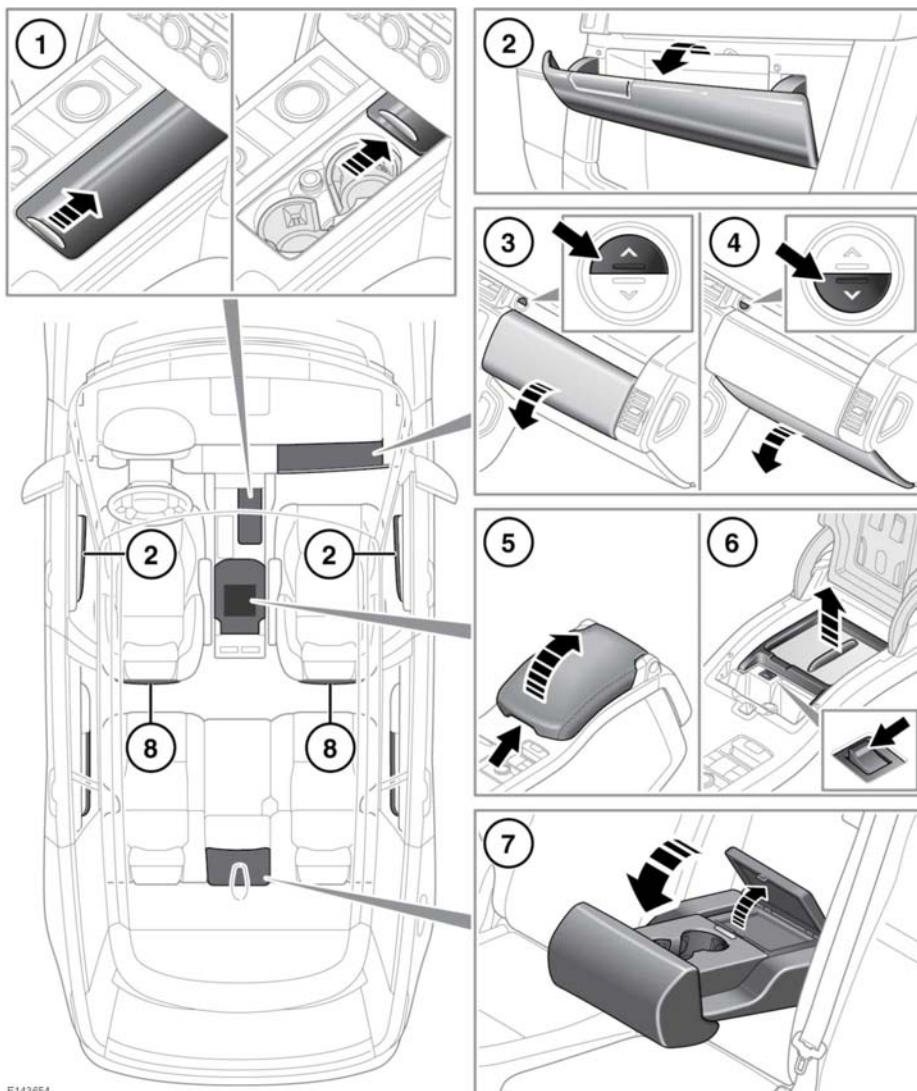


# Storage compartments

## STORAGE COMPARTMENTS



E143854



**Make sure that any items stored in the vehicle are secure and cannot move. If the vehicle is involved in an accident, or subject to sudden braking or direction change, loose items can cause serious injury.**



**Do not drink, or use the cup holders when driving.**

1. Front cup holders: Slide open the panel to access. Press and release to close.
2. Storage bins.
3. Glovebox.
4. Lower glovebox.
5. Centre console storage/cool box.

**Note:** *The rubber mat, at the bottom of the centre console, is designed to hold CD cases.*

6. Cool box: Switch on and off using the switch on the inside front lip. There is a short delay between pressing the switch and illumination of the indicator. The cool box will work best when the cooling tray is used.

**Note:** *The cool box will only operate with the ignition turned on.*



The cool box should be switched off when it is not needed, to preserve battery charge.

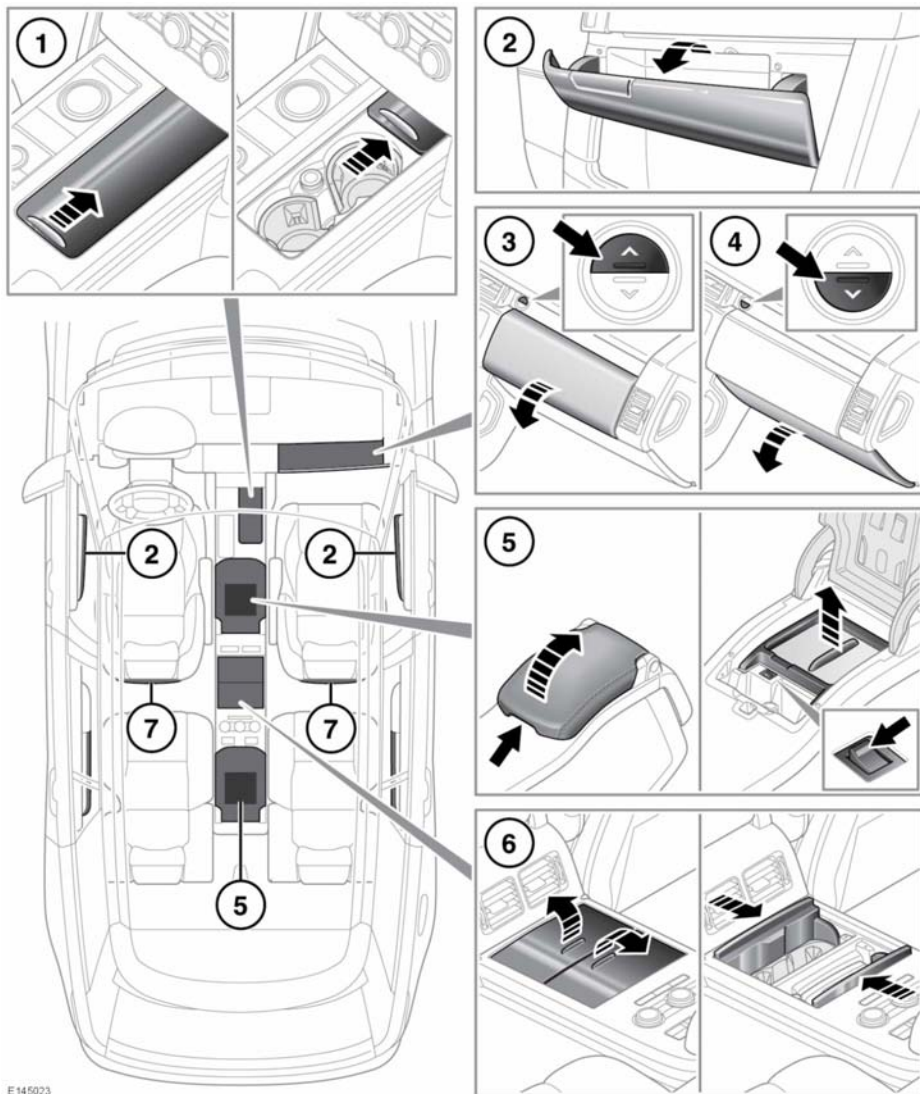
7. Rear seat cup holders and storage: Fold the centre armrest down.

**Note:** *Centre armrest storage is not available on vehicles fitted with a Rear media system.*

8. Map pockets.

# Storage compartments

## Storage compartments - Executive class rear seats



E145023

1. Front cup holders: Slide open the panel to access. Press and release to close.

2. Storage bins.

3. Glovebox.

4. Lower glovebox.
5. Front and rear cool boxes: Switch on and off using the switch on the inside front lip. There is a short delay between pressing the switch and illumination of the indicator. The cool boxes will work best when the cooling trays are used.

**Note:** *The cool boxes will only operate with the ignition turned on.*

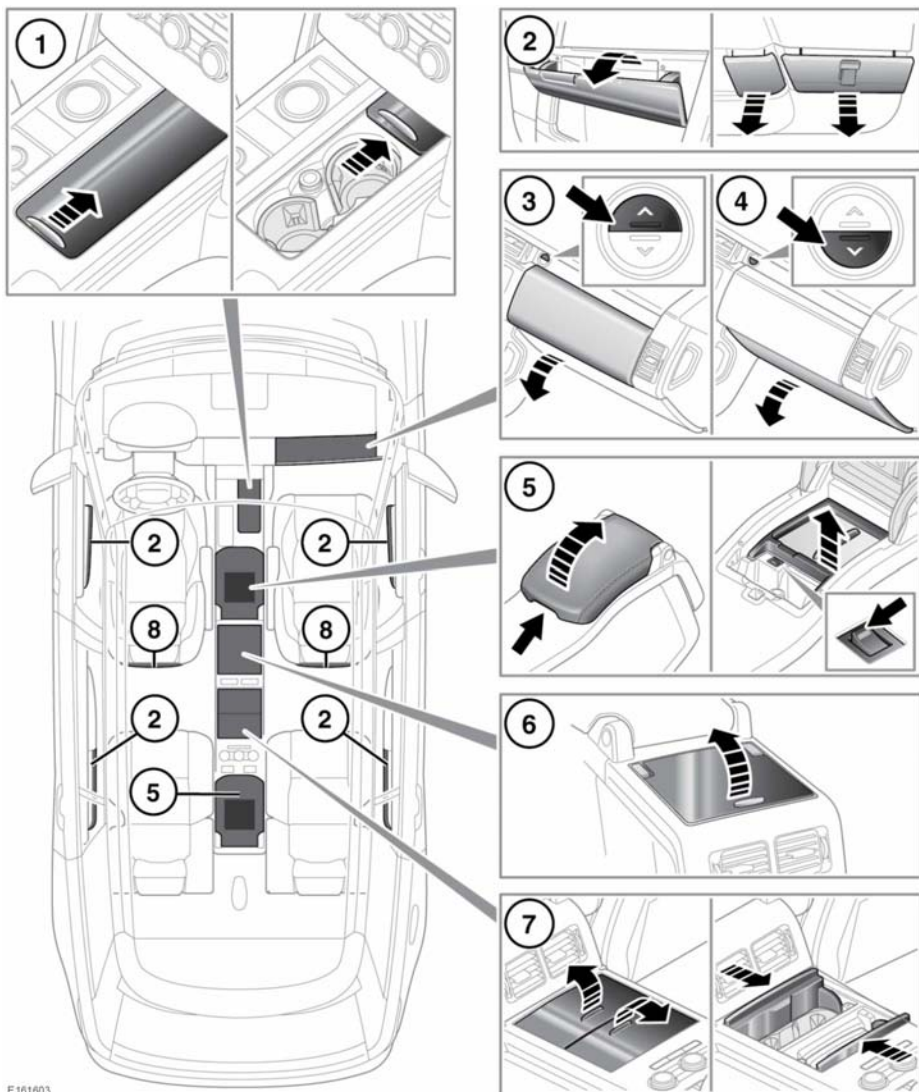


The cool boxes should be switched off when it is not needed, to preserve battery charge.

6. Rear seat cup holders: Slide open the panel to access. Press and release to close.
7. Map pockets.

# Storage compartments

## Storage compartments - Long Wheel Base (LWB) vehicles



E161603


1. Front cup holders: Slide open the panel to access. Press and release to close.
2. Storage bins.

3. Glovebox.
4. Lower glovebox.

5. Front and rear cool boxes: Switch on and off, using the switch on the inside front lip. There is a short delay between pressing the switch and illumination of the indicator. The cool boxes will work best when the cooling trays are used.

**Note:** *The rear cool box is only fitted to vehicles with Executive class rear seats.*

**Note:** *The cool boxes will only operate with the ignition turned on.*

-  The cool boxes should be switched off when it is not needed, to preserve battery charge.
6. Tablet PC and headphone storage: Press and release to open.
7. Rear seat cup holders, and Rear media remote control storage: Slide open the panel to access. Press and release to close.
8. Map pockets.