

Fluid level checks

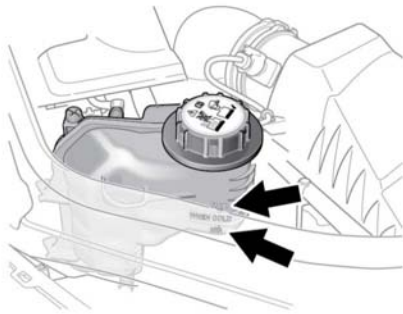
It is essential to use the correct specification oil, and to make sure it is suitable for the climatic conditions in which the vehicle is to be operated. See **280, LUBRICANTS AND FLUIDS**.

Note: The approximate quantity of oil required to raise the level from **MIN** to **MAX** is 1.5 litres (2.6 pints).

CHECKING THE COOLANT LEVEL

⚠ Running the engine without coolant will cause serious engine damage.

The coolant level in the expansion tank should be checked at least weekly (more frequently in high mileage or arduous operating conditions). Always check the level when the system is cold.



E151133

Make sure the coolant level remains between the **MIN** and **MAX** indicator marks, located on the side of the expansion tank.

If coolant/steam is expelled from the pressure cap or the level has dropped suddenly, or by a large amount, arrange for the vehicle to be examined by a Dealer/Authorised Repairer as soon as possible.

TOPPING UP THE COOLANT

⚠ **Never remove the filler cap when the engine is hot - escaping steam or scalding water could cause serious personal injury.**

⚠ **Avoid spilling antifreeze onto a hot engine - a fire may result.**

⚠ **Unscrew the filler cap slowly, allowing the pressure to escape before removing completely.**

⚠ **Antifreeze is poisonous and can be fatal if swallowed - keep containers sealed and out of the reach of children. If accidental consumption is suspected, seek medical attention immediately.**

⚠ **If the fluid comes into contact with the skin or eyes, rinse immediately with plenty of clean water.**

⚠ When travelling in territories where the water supply contains salt, always make sure you carry a supply of fresh (rain or distilled) water. Topping up with salt water will cause serious engine damage.

⚠ The use of non-approved antifreeze will have an adverse effect on the engine's cooling system and; therefore, engine durability.

⚠ **Antifreeze will damage painted surfaces; soak up any spillage with an absorbent cloth immediately and wash the area with a mixture of car shampoo and water.**

Top up to the **MAX** mark, located on the side of the expansion tank. Use only a 50% mix of water and the approved antifreeze. See **280, LUBRICANTS AND FLUIDS**.

The specific gravity of a 50% antifreeze solution at 20°C (68°F) is 1.068 and protects against frost down to -40°C (-40°F).