

When Reverse (**R**) gear is selected, the front, rear, and side sensors become active. The sensors will remain active until the vehicle's speed reaches 16 km/h (10 mph).

If Drive (**D**) is subsequently selected, the front, rear, and side sensors will remain active until the vehicle's speed reaches 16 km/h (10 mph).

If **D** is selected directly from Park (**P**), the Parking aid and 360° Park Distance Control systems will only become active if the Parking aid button is pressed, and the vehicle's speed is less than 10 km/h (6 mph). If these conditions are met, the front and side sensors will become active. The sensors will remain active until the vehicle's speed reaches 16 km/h (10 mph).

When objects are detected, the system emits a warning tone, which increases in frequency as the vehicle gets closer to an object. The tone becomes constant when the object is within 300 millimetres (12 inches) of the vehicle.

Note: *If the Parking aid system does not detect an object likely to come into contact with the vehicle, it will not display any tracking information on the Touch screen.*

Note: *The sensors should be kept clean to maintain accuracy and performance. See 131, **CLEANING THE SENSORS.***

CLEANING THE SENSORS

⚠ When washing the vehicle, do not aim high pressure water jets directly at the sensors. Do not use abrasive materials, or hard/sharp objects to clean the sensors. Only use approved vehicle shampoo.

The sensors should be kept clean, to maintain accuracy and performance.

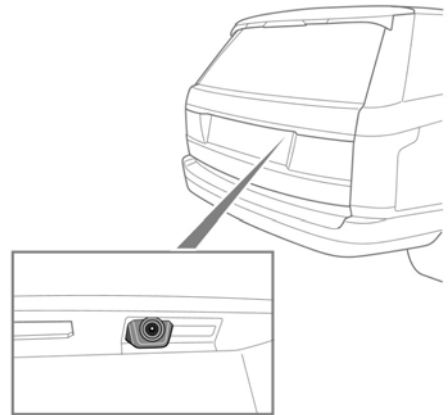
PARKING AID SYSTEM FAULT

If a system fault is detected, a long high-pitched tone will sound, the switch indicator will flash and the message **Parking Aid is not available. Please consult your dealer** will be displayed on the Touch screen. Contact your Dealer/Authorised Repairer as soon as possible.

REAR CAMERA

⚠ **It remains the driver's responsibility to detect obstacles and estimate the vehicle's distance from them when reversing.**

⚠ Some overhanging objects or barriers, which could cause damage to the vehicle, may not be detected by the camera.



E138926

When Reverse (**R**) gear is selected, the screen automatically displays a wide-angle, colour image from the rear of your vehicle.

The Rear camera system provides a rear-view image, to assist in reversing the vehicle. Overlaid on the image are reversing guide lines.

Parking aids

To adjust the camera's settings while in **R**, touch anywhere on the Touch screen to display the user options, or select **Extra features** from the Touch screen **HOME MENU**, touch **Cameras** and select **Settings**.

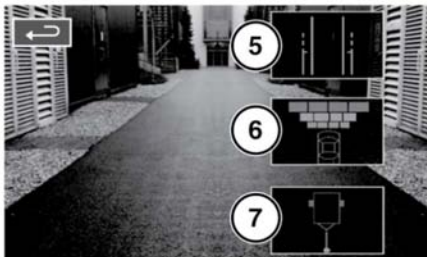
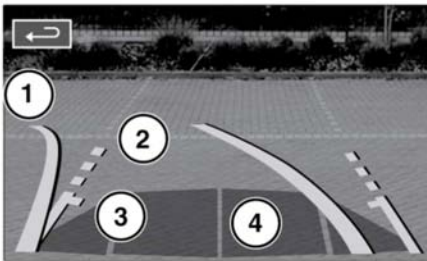
Note: A camera icon will be displayed on the user options screen, when selected from **Extra features**. Touch the camera icon, to return to the Rear camera screen.

Note: The Rear camera display has priority over the Parking aids display. To cancel the camera display at any time, push the **HOME MENU** button or touch the Back soft key.

The Rear camera display on the Touch screen will discontinue when either of the following apply:

- Drive (**D**) is selected for longer than 5 seconds.
- **D** is selected and/or the vehicle's speed is greater than 18 km/h (11 mph).

1. Solid line: The projected path based on the current steering wheel position.
2. Dotted line: The safe working width of the vehicle (including the exterior mirrors).
3. Tailgate access guide line: Do not reverse beyond this point, if tailgate access is required.
4. Parking sensor activation: A coloured area appears, to indicate which rear sensor(s) has been activated.
5. Touch to enable/disable (1), (2), and (3).
6. Touch to enable/disable (4) the parking sensor.
7. Touch to enable/disable Hitch assist guidance lines. (5) and (6) will be disabled when the Hitch assist guidance is active.



E153094