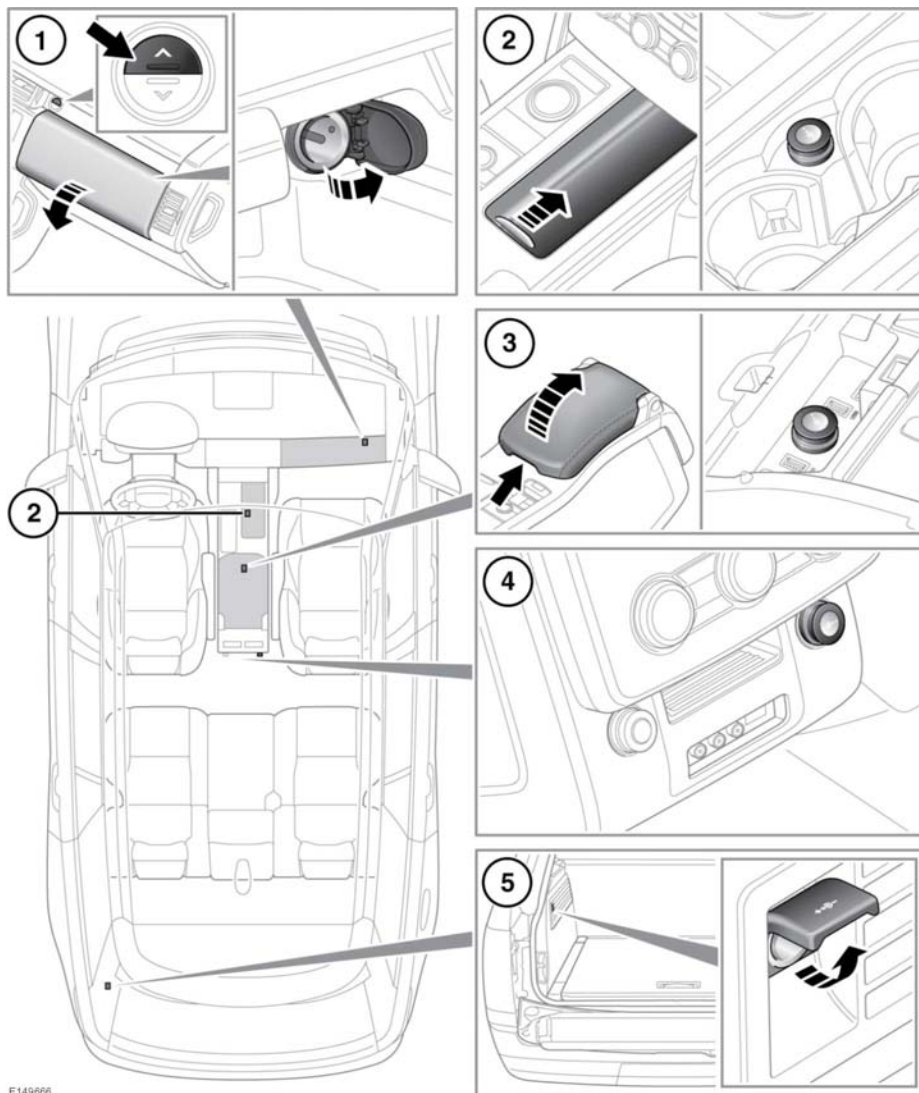


Storage compartments

AUXILIARY POWER SOCKETS



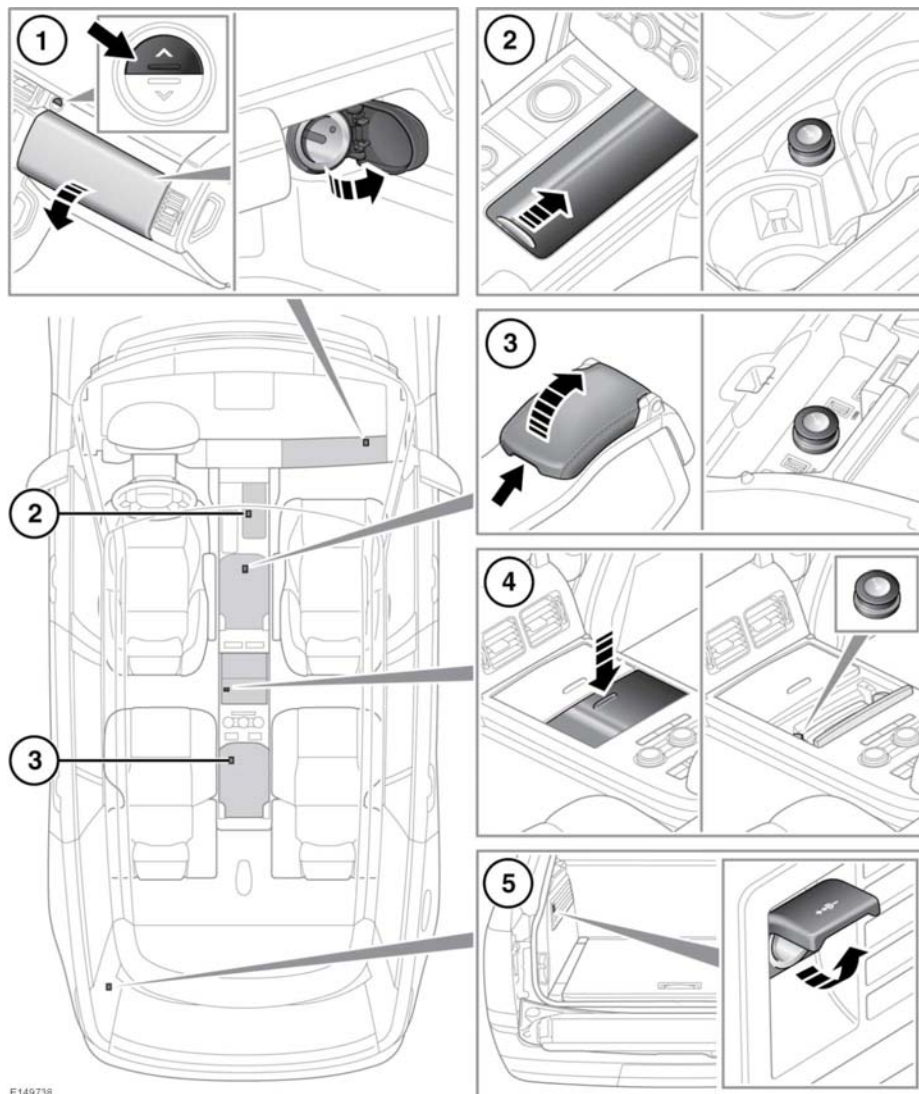
E149666

1. Glovebox power socket.
2. Front power socket.
3. Middle power socket.
4. Rear power sockets.

5. Loadspace power socket.

Storage compartments



Executive class rear seats



1. Glovebox power socket.
2. Front power socket.

3. Front and rear power sockets.
4. Middle power socket.

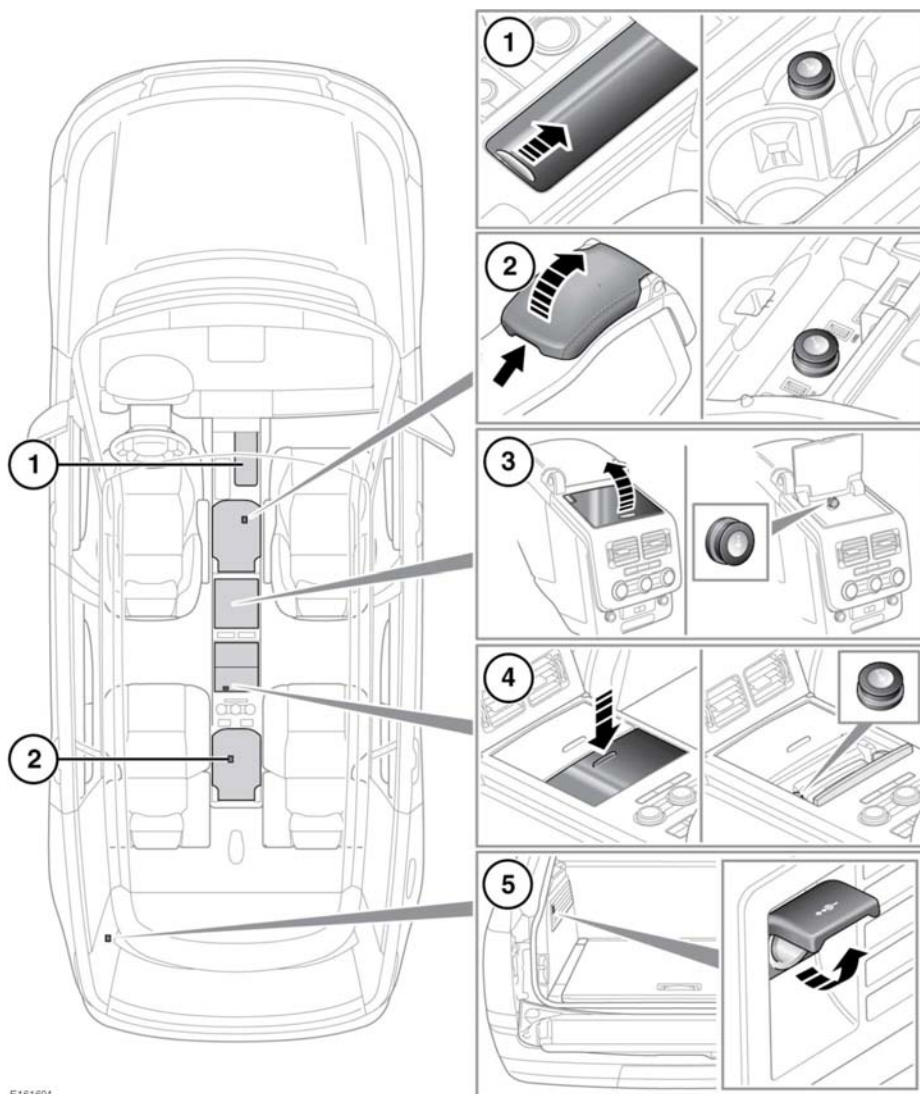
5. Loadspace power socket.

-  Only use Land Rover approved accessories. Using any other equipment may damage the vehicles's electrical system. If you are in any doubt, contact a Dealer/Authorised Repairer.
-  The engine should be running when using accessories for long periods. Failure to do so, can discharge the vehicle's battery.

Note: *Power sockets can be used to power approved accessories that use a maximum of 180 Watts.*

Storage compartments



Long Wheel Base (LWB) vehicles



E161604

1. Front power socket.
2. Front and rear power sockets.

Note: The illustration shows a rear power socket fitted to a vehicle with Executive class rear seats.

3. Tablet PC storage power socket.
 4. Middle power socket.
 5. Loadspace power socket.
-  Only use Land Rover approved accessories. Using any other equipment may damage the vehicle's electrical system. If you are in any doubt, contact a Dealer/Authorised repairer.
 -  The engine should be running when using accessories for long periods. Failure to do so, can discharge the vehicle's battery.

Note: *Power sockets can be used to power approved accessories that use a maximum of 180 Watts.*