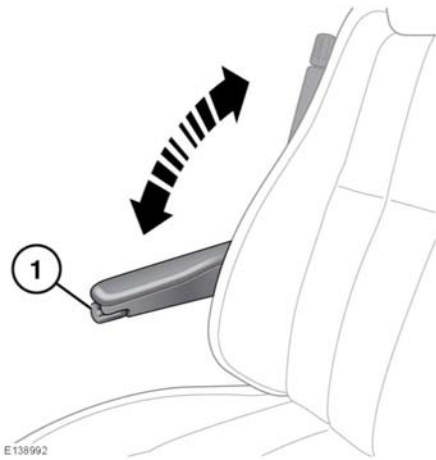


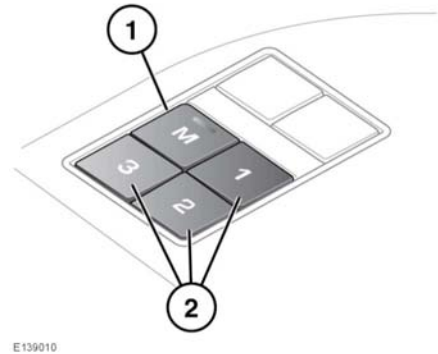
FOLDING ARMREST



Use the adjuster wheel (1) to set the required height. The folding armrest may be stowed by moving to the vertical position.

SEAT POSITION MEMORY

Once you have adjusted the power-operated driver's seat, the steering column (see **26, ADJUSTING THE STEERING WHEEL**) and the exterior mirrors (see **60, EXTERIOR MIRRORS**) for your ideal driving position, the settings can be stored for future use.



1. Press the memory store (**M**) button to activate the memory function.
2. Press 1 of the preset buttons within 5 seconds to store the current settings. **MEMORY (1, 2 or 3) SETTINGS SAVED** will be displayed in the Message centre, accompanied by an audible chime to confirm the settings have been stored.

Note: A seat position will only be stored during the 5 second active period.

Note: Any existing settings will be over-written when storing a new position.

3. To recall a stored position, press the relevant preset button. **MEMORY (1, 2 OR 3) RECALLED** will be displayed in the Message centre.

Note: The memory function for all passenger seats will not trigger any messages in the Message centre.