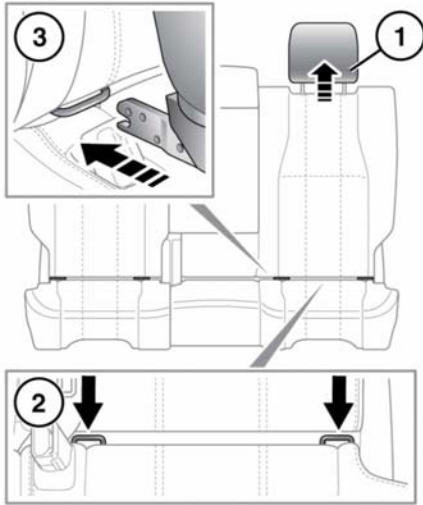
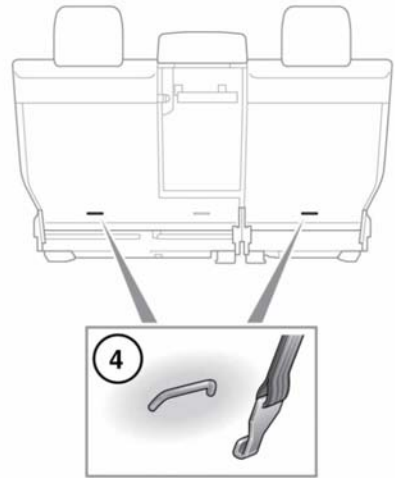


ISOFIX ANCHOR POINTS



E143653



Both of the outer seat positions on the rear seat are equipped to accept ISOFIX restraints.



This symbol is shown on a label sewn into the seats, to indicate the position of the ISOFIX lower anchorages.

To install an ISOFIX child seat:

1. Raise or remove the head restraint.
2. ISOFIX anchor points are in the fold of the seats.
3. Slide the child seat locking mechanism into the anchor point.
4. Upper tether anchorages are provided on the rear of the 2 outer rear seats.
5. Hook the tether to the tether anchorage and tighten to secure.

Note: Always make sure that if an upper tether is provided, it is fitted and tightened correctly.

Test the security of the child restraint. To do this, attempt to pull the restraint away from the vehicle's seat and twist the restraint from side to side. Even if the restraint appears secure, you should still check the anchor points visually, to make sure of correct attachment.



Do not attempt to fit ISOFIX restraints to the centre rear seating position. The anchor bars are not designed to hold an ISOFIX restraint in this position.



A tether anchorage is provided for the centre seat position. Do not use this anchor position with an ISOFIX child seat.



If the restraint is not correctly anchored, there is a significant risk of injury to the child in the event of a collision or emergency braking.

Note: Always refit a removed head restraint after the child restraint is removed. See 25, **HEAD RESTRAINT REMOVAL**.