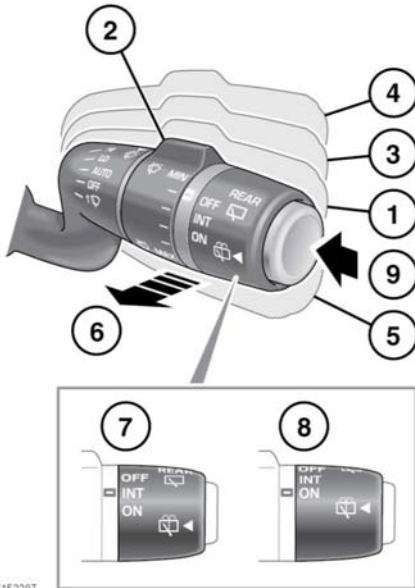


WIPER OPERATION



E152297

1. Automatic Rain sensing mode: The front wipers will respond and adapt automatically to the ambient rain conditions, selecting the appropriate wiper frequency for the prevailing conditions. The sensitivity of the system can be adjusted by rotating the collar (2).
2. Rotate the collar to adjust the sensitivity of the automatic Rain sensing mode when position (1) is selected. The higher the sensitivity position, the more responsive the system will become. When automatic Rain sensing mode is selected, or when sensitivity is increased, the system will perform a single wipe.
3. Low speed continuous wipe.
4. High speed continuous wipe.
5. Single wipe, or hold down for further continuous wipes.
6. Windscreen wash/wipe: Pull and release to operate the front washers and wipers. The wipers will operate for 2 further wipes after the wash/wipe control is released. After a few seconds, a drip wipe will clear any residual washer fluid from the windscreen. If more washer fluid is required, pull and hold the control position.

Note: The front wipers will not operate while the bonnet is open.
7. INT: Rear wiper intermittent operation. Wiper frequency will increase with vehicle speed.
8. ON: Rear wiper continuous operation.
9. Rear window wash/wipe: Press and release to operate the rear washer and wiper. The wiper will operate in a set cycle, to minimise drips when the button is released. If more washer fluid is required, push and hold the button.

Note: When Reverse (R) gear is selected and the front wipers are operating, the rear wiper will activate.

Note: The rear wiper will not operate while the boot is open.



Drip wipe on the windscreen can be enabled/disabled by a Dealer/Authorised Repairer.



Rear wiper road-speed related frequency can be enabled/disabled by a Dealer/Authorised Repairer.



Do not operate the windscreen wipers on a dry screen.



In freezing or very hot conditions, use the Winter park position to allow the wiper blades to be lifted from the screen, should they become stuck. See **59, WINTER PARK POSITION.**