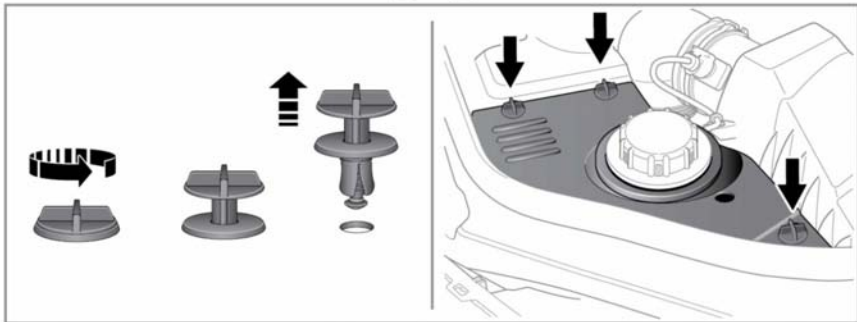
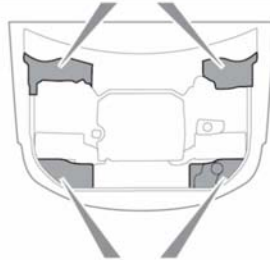
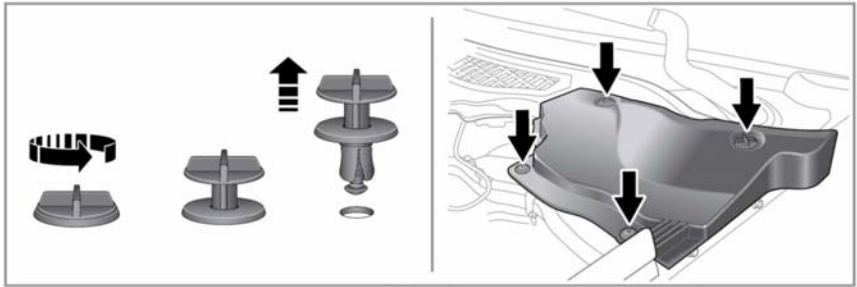


UNDER BONNET COVERS - REMOVAL



E151131

1. Release and remove the turnbuckle clips securing the cover.
2. Lift the edge of the cover and slide to remove.

UNDER BONNET COVERS - REFITTING



Before refitting the under bonnet covers, make sure that no pipes, cables, or other items, have been trapped between the cover and the casing.

1. Place the cover over the casing, making sure that all of the holes are aligned.