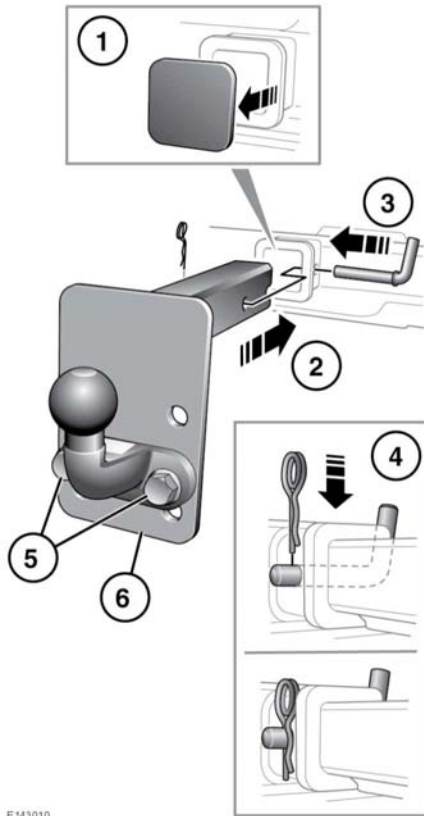




FITTING THE MULTI-HEIGHT DROP PLATE TOW BALL



E 143010

-  **The tow ball/draw bar is heavy; care must be taken when handling it.**
-  **Never leave the tow bar loose in the vehicle. It could become a projectile, in the event of heavy braking or an accident.**

The drop plate tow bar is stored in a bag and should be strapped to an anchorage point in the rear stowage area.

1. Remove the plastic cover from the tow bar mounting and stow safely.
2. Insert the tow bar assembly into the receiver.
3. Insert the securing bar.
4. Insert the straight part of the securing pin into the securing bar and push down firmly. Make sure that the pin is locked into position.
5. If the tow ball/hitch height is adjustable, remove the fixing bolts.
6. Move the tow ball/hitch to an alternative position on the drop plate and refit the bolts. Tighten to 170 Nm.