

3. Top-up the reservoir until the fluid is visible in the filler neck.
4. Replace filler cap.

CHECKING THE DYNAMIC RESPONSE FLUID LEVEL

⚠ WARNING

Dynamic response fluid is highly toxic. Keep containers sealed and out of reach of children. If accidental consumption of fluid is suspected, seek medical attention immediately.

⚠ WARNING

If the fluid comes into contact with the skin or eyes, rinse immediately with plenty of water.

NOTICE

Do not start the engine if the fluid level has dropped below the **MIN** mark. Severe damage to the Dynamic response system could result.

NOTICE

Seek qualified assistance immediately if there is a noticeable drop in the fluid level.

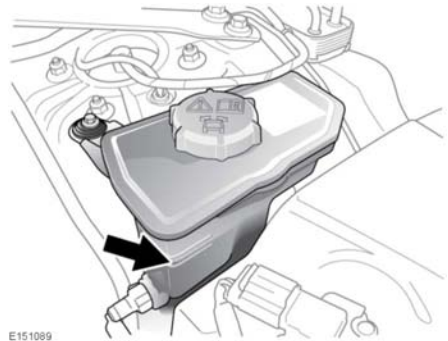
NOTICE

If fluid loss is slow, the reservoir may be topped-up to the upper level mark to enable the vehicle to be driven to a repair facility for examination. However, it is recommended that you seek qualified assistance before driving the vehicle.

NOTICE

Do not attempt to drive the vehicle to a repair facility, if there is a danger that leaking fluid will come into contact with a hot surface, such as the exhaust.

Check and top-up the fluid level with the engine switched off and the system cold. See **214, FLUID FILLER LOCATIONS**.



E151089

The fluid level should be maintained between the **MIN** and **MAX** marks.

TOPPING UP THE DYNAMIC RESPONSE FLUID

NOTICE

Dynamic response fluid will damage painted surfaces. Soak up any spillage with an absorbent cloth immediately and wash the area with a mixture of car shampoo and water.

NOTICE

Do not fill the reservoir above the **MAX** mark.

1. Clean the filler cap before removing to prevent dirt from entering the reservoir.
2. Remove filler cap.
3. Using the approved fluid, top up the reservoir until the fluid level is between the **MIN** and **MAX** marks. See **267, LUBRICANTS AND FLUIDS**.
4. Replace filler cap.