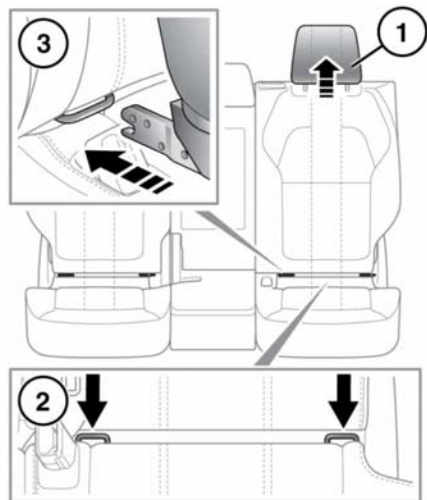


ISOFIX ANCHOR POINTS



E150793

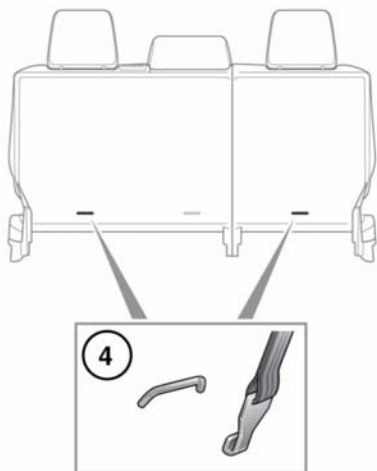
Both of the outer seat positions on the rear, second row seat are equipped to accept ISOFIX restraints.



This symbol is shown on a label sewn into the seats to indicate the position of the ISOFIX lower anchorages.

To install an ISOFIX child seat:

1. Raise or remove the head restraint.
2. ISOFIX anchor points are in the fold of the seats.
3. Slide the child seat locking mechanism into the anchor point.
4. Upper tether anchorages are provided on the rear of the second row, 2 outer seats.
5. Hook the tether to the tether anchorage and tighten to secure.



Note: Always make sure if an upper tether is provided, it is fitted and tightened correctly.

Test the security of the child restraint. To do this, attempt to pull the restraint away from the vehicle seat and twist the restraint from side to side. Even if the restraint appears secure, you should still check the anchor points visually, to make sure of correct attachment.



Do not attempt to fit ISOFIX restraints to the rear, second row centre seating position. The anchor bars are not designed to hold an ISOFIX restraint in this position.



If the restraint is not correctly anchored, there is a significant risk of injury to the child in the event of a collision or emergency braking.

Note: Always refit a removed head restraint after the child restraint is removed. See 25, **HEAD RESTRAINT REMOVAL.**