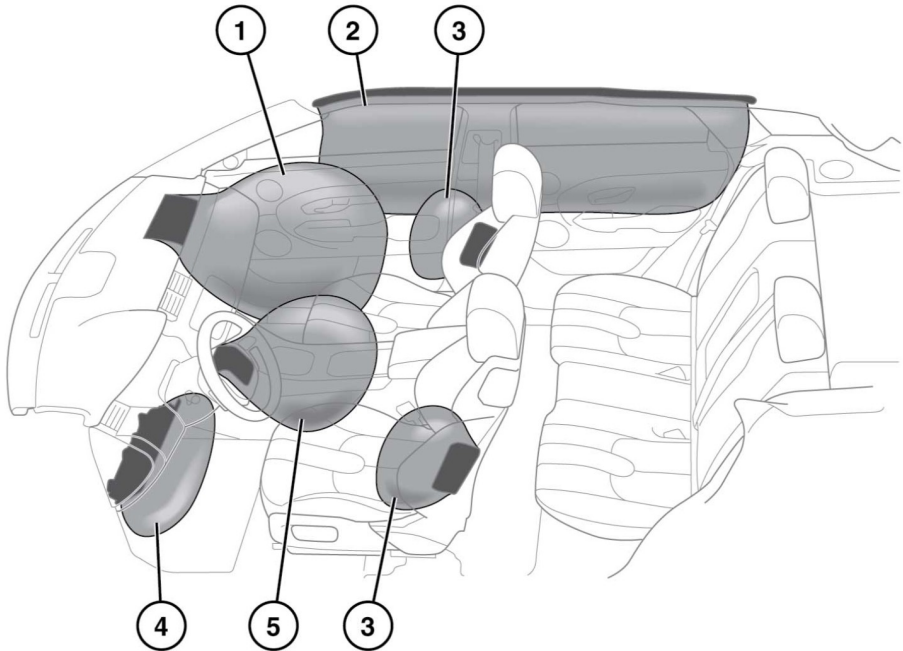


AIRBAGS



E150268

1. Front passenger's airbag.
2. Curtain airbags.
3. Side airbags.
4. Knee-bolster airbag.
5. Driver's airbag.

Note: The general location of airbags fitted to the vehicle are marked by the word AIRBAG.

Always contact your Dealer/Authorised Repairer if:

- An airbag inflates.
- The front or sides of the vehicle are damaged.
- Any part of the airbag Supplementary Restraint System (SRS) shows signs of cracking or damage, including trim covering airbags.
- The amber airbag warning lamp illuminates.

AIRBAG OPERATION



For the airbags to operate correctly the roof lining and door post trims must be in good condition, correctly fitted, and free from obstruction. Any damage, wear, or incorrect fitment should be referred to your Dealer/Authorised Repairer as soon as possible for examination and repair.