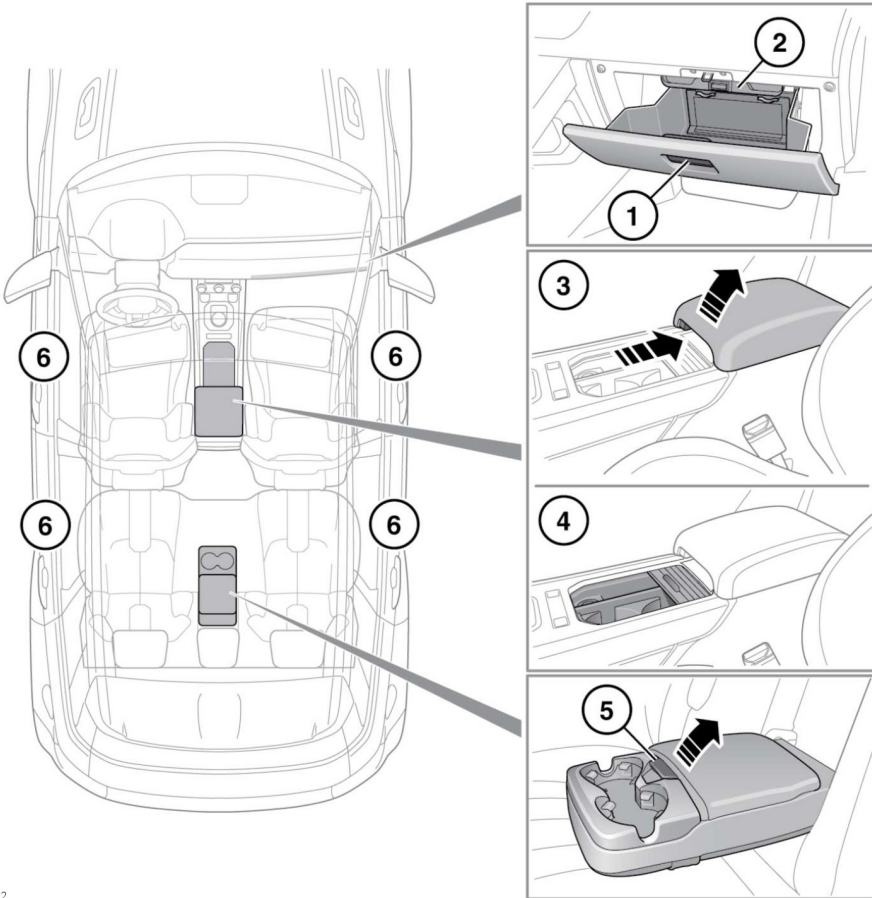


# Storage compartments

## STORAGE COMPARTMENTS



E155262

1. Glovebox.
2. Inside the glovebox is a drop down storage area for the Owner's Handbook pack.
3. Sliding armrest to reveal the cubby box. Slide the armrest rearward to access the release lever. Pull the release lever and then raise the armrest.



**To avoid personal injury, keep hands and fingers clear from the front and rear edges of the sliding armrest during the opening and closing of the cubby box.**

4. Sliding top to reveal the cup holders.



**Do not drink, or use the drinks holders when driving.**