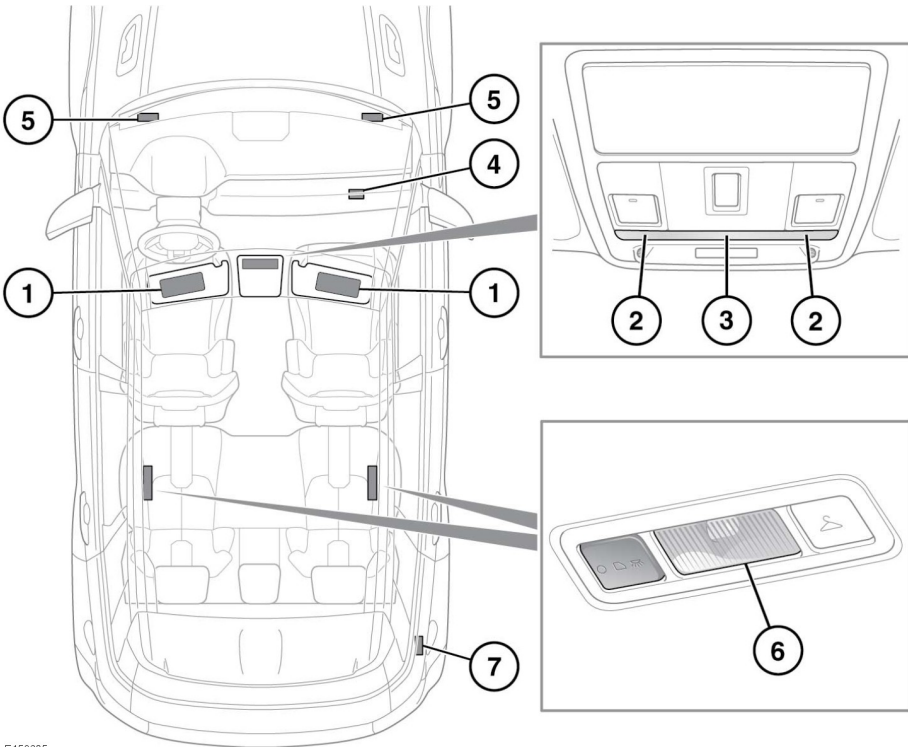


Interior lights

INTERIOR LIGHTS



E153605

1. Sun visor lamps: Illuminate when the vanity mirror is opened.
2. Map reading lamps: Move a finger close to (or touch) the relevant lens to switch on/off.
Note: If you are wearing gloves, it may be necessary to touch the lens to operate the lamps.
3. Front interior lamp: Illuminates when the doors are unlocked and extinguishes 60 seconds after all doors are closed, when the engine starts or when the vehicle is locked. Move a finger close to (or touch) the lens to switch on and off manually. Touch the lens for 2 seconds to deactivate/activate automatic illumination.
4. Glove box lamp: Illuminates when the glove box is opened.
5. Footwell lamps: Illuminate when the doors are unlocked and extinguish 60 seconds after all doors are closed, when the engine starts or when the vehicle is locked.