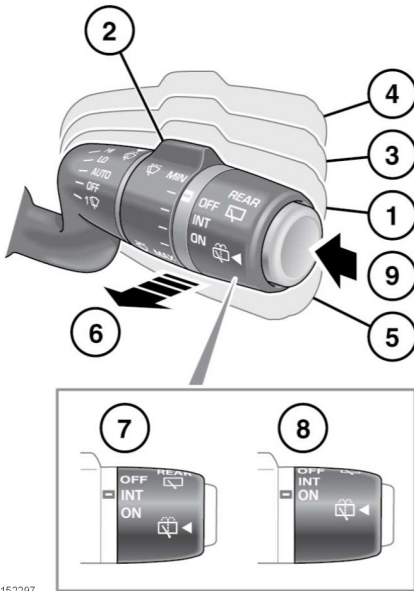


Wipers and washers

WIPER OPERATION

- ❗ Do not operate the wipers on a dry screen.
- ❗ In freezing or hot conditions, make sure the wipers have not stuck to the glass. Use the winter park position to lift the wiper blades away from the screen. See **54, WINTER PARK POSITION**.
- ❗ Remove any snow, ice or frost from the windscreen, around the wiper arms and blades and the windscreen scuttle, before operating the wipers.



E152297

Vehicles with a rain sensor:

1. Automatic rain sensing mode: The front wipers will respond and adapt automatically to the ambient rain conditions, selecting the appropriate wiper frequency for the prevailing conditions. The sensitivity of the system can be adjusted by rotating the collar (2).

- ❗ Make sure the wipers are switched off before entering a car wash. If the automatic rain sensing system operates during the car washing process, damage may occur to the wiper mechanism.

2. Rotate the collar to adjust the sensitivity of the automatic rain sensing mode when position (1) is selected. The higher the sensitivity position the more responsive the system will become.

When automatic rain sensing mode is selected, or when sensitivity is increased, the system will perform a single wipe.

3. Low speed continuous wipe.
4. High speed continuous wipe.
5. Single wipe of windscreen, or hold down for further continuous wipes.
6. Windscreen wash/wipe: Pull and release to operate the front washers and wipers. The wipers will operate for 2 further wipes after the stalk is released. After a few seconds, a drip wipe will clear any residual washer fluid from the windscreen. If more washer fluid is required, pull and hold the stalk position.

Note: The front wipers will not operate while the bonnet is open.

7. **INT:** Rear wiper, intermittent operation. Wiper frequency will increase with vehicle speed.
8. **ON:** Rear wiper, continuous operation.