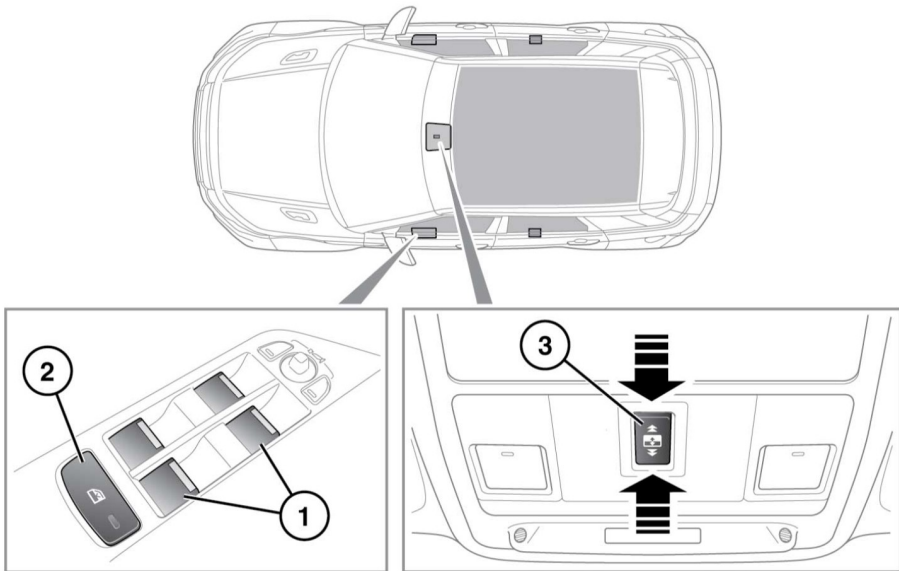


ELECTRIC WINDOWS AND PANORAMIC ROOF BLIND



E 155594



To prevent accidental operation, never leave the Smart key in the vehicle if children or animals are also left in the vehicle.

- 1. Window switches:** Briefly pull a switch fully up and release, the window will continue to rise until fully closed. Briefly press a switch fully down and release, the window will continue to lower until fully open. Pressing or pulling a switch again will stop the window.

The windows will operate for 5 minutes after the ignition is switched off, as long as none of the doors are open.

Rear windows have a short drop feature for passenger comfort. The first press of a switch will lower the window a short distance to give a flow of air. A second press will lower the window to its full extent.

If a resonance or booming sound occurs when a rear window is open, lowering an adjacent front window by approximately 25 mm (1 inch) will eliminate the condition.

Note: Coupe models have fixed rear windows and a different switch pack.

- 2. Rear window isolator switch:** The rear windows are isolated when the indicator light in the switch is illuminated.



If children are carried in the rear seats, the isolator switch should be used to prevent operation of the windows. If the windows are operated by young children there is a risk of serious injury or death.

- 3. Roof blind open/close switch:** To open the blind, push from the rear of the switch and release. The blind will slide fully open.