

LABEL LOCATIONS

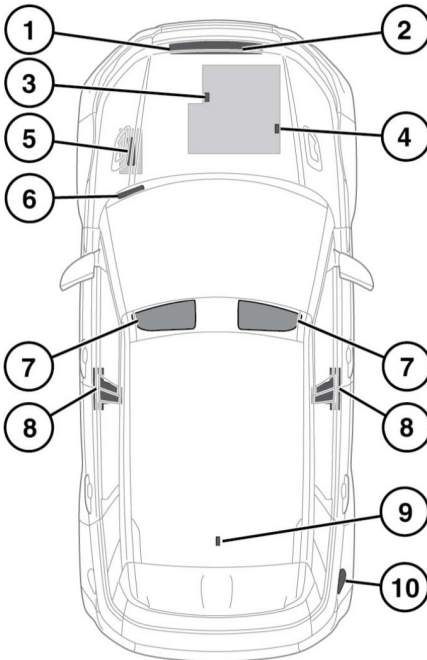


Warning labels attached to the vehicle bearing this symbol mean: Do not touch or adjust components until you have read the relevant instructions in the handbook.



Labels showing this symbol indicate that the ignition system utilises very high voltages. Do not touch any ignition components while the starter switch is turned on.

Additional information labels may also be found at the following locations:



E155568

1. Air conditioning label: Located on the bonnet locking platform.

2. Vehicle Identification Number (VIN): Located on the bonnet locking platform.
3. Engine identification information: Stamped into the engine mounting flange.
4. Engine information label: Located on the top right side of the engine cover.
5. Battery warning symbols: Located on the top of the battery.
6. The VIN is stamped on a plate which is visible through the lowest part of the left side of the front windscreen. The VIN is also stamped into the right side suspension tower. The VIN can also be shown in the Message centre via the **Vehicle Info** and **VIN Display** Information panel menus. See **40, INSTRUMENT PANEL MENU**.

Note: If you need to communicate with a Dealer/Authorised Repairer, you may be asked to quote the VIN number.

The vehicle's built date is shown on the VIN plate.

Note: The vehicle built date is the calendar month and year in which the body and power train assemblies were conjoined and the vehicle was driven from the production line. The vehicle's built date is shown on the tyre pressure label.

7. Airbag label and vehicle handling label: Located on the Sun visors.
8. Tyre pressure and airbag warning labels: Located at the base of the right side B pillar (China only).
9. The VIN plate is stamped forward of the spare wheel well.
10. Fuel specification label: Located inside the fuel filler flap.

It is important that you are familiar with these subjects to make sure the vehicle and its features are used safely.