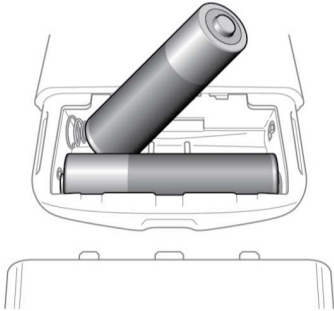


REAR MEDIA REMOTE CONTROL BATTERY



E152805

Low battery power is indicated by the remote control power button flashing 3 times when pressed. To renew the batteries:

- Remove the chrome battery cover.
- Install 2 AAA batteries. Make sure the polarity of the batteries matches that shown inside the remote control battery compartment.

Note: *The remote control will not operate if the batteries are fitted incorrectly.*

Note: *Always use good quality batteries of the same type.*

- Replace the chrome battery cover.



Battery disposal: Used batteries must be disposed of correctly, as they contain harmful substances. Seek advice on disposal from your Dealer/Authorised Repairer and/or your local authority.