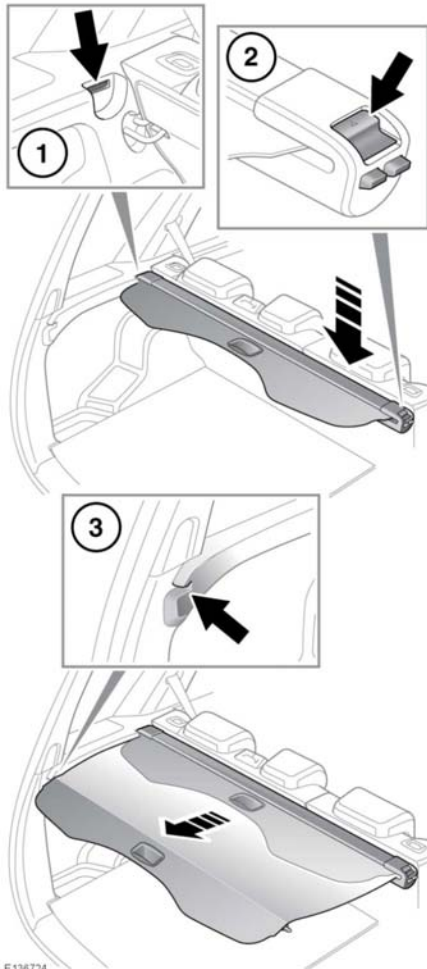


LOADSPACE COVER

⚠ Never place objects on top of the luggage cover. During an accident or sudden manoeuvre, loose objects can cause serious injury or death.

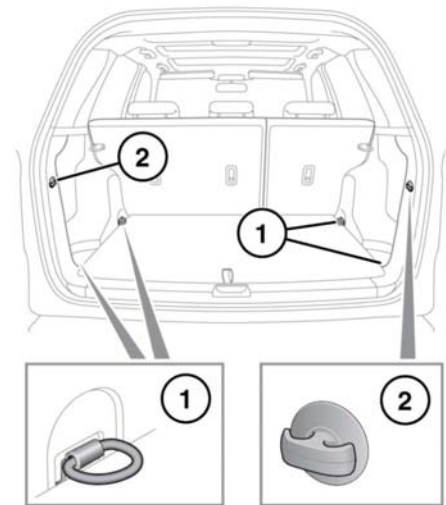


1. Insert the location peg, on the left end of the luggage cover, into the slot.

2. Lower the right end into position by pulling back the release button. Make sure the release button returns to the locked position when the cover is in position.
3. Pull the luggage cover blind towards the rear of the vehicle. Engage the end pegs into the recesses provided in the load space side trims.

⚠ Do not store the loadspace cover loose in the vehicle.

LUGGAGE ANCHOR POINTS



⚠ All items carried in the luggage area should be properly secured.

1. Load securing rings:
 - To assist in safely securing large items of luggage, 4 fixing points are located in the rear loadspace floor.
2. Bag hooks:
 - The bag hooks should only be used to secure light items such as shopping bags.

E136724

E136445