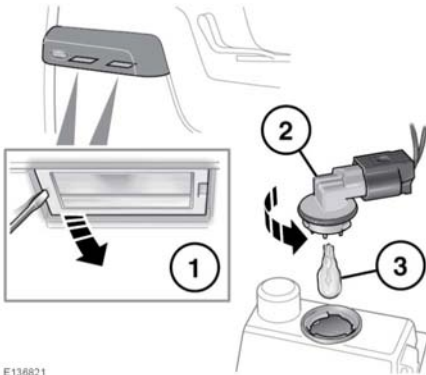


2. Twist the bulb holder anticlockwise.
3. Remove the bulb from the bulb holder.

LICENCE PLATE LAMP BULB REPLACEMENT



E136821

1. Carefully remove the lamp unit using a suitable tool.
2. Twist the bulb holder anticlockwise.
3. Remove the bulb from the bulb holder.