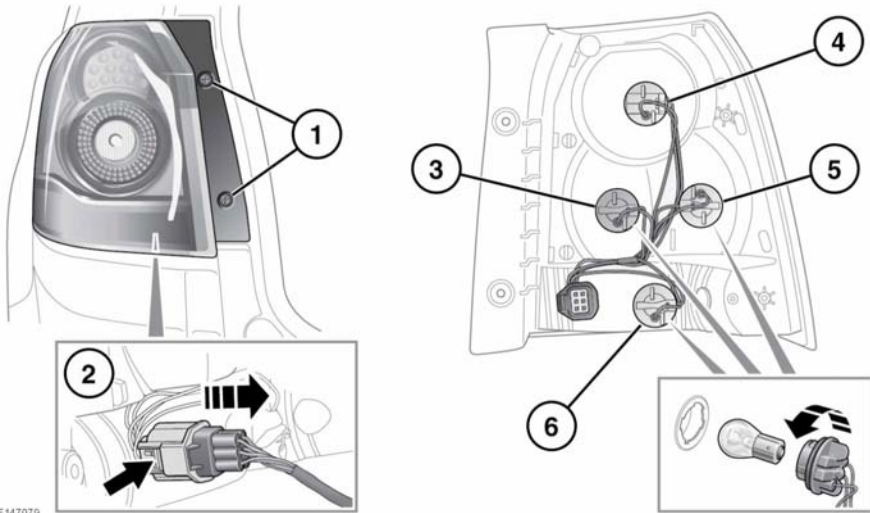


REAR LAMP BULB REPLACEMENT



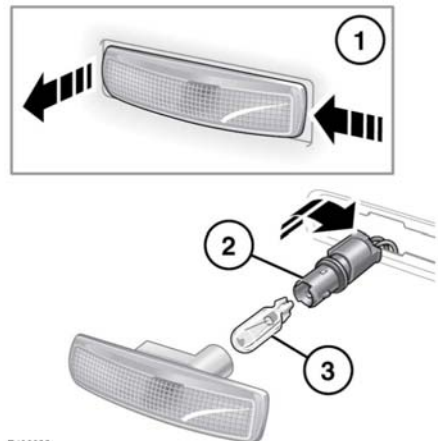
E147079

1. With the taildoor open, remove the 2 screws from the inner edge of the unit.
2. Pull the unit carefully away from the vehicle, disconnect the electrical connector and remove the unit from the vehicle.
3. Direction indicator.
4. Stop/tail lamp.
5. Reversing lamp.
6. Rear fog lamp.

Note: This is an LED lamp. Repair or replacement should only be carried out by qualified personnel.

Twist the relevant bulb unit and pull to access the bulb. Push, twist and pull to remove the bulb.

SIDE REPEATER LAMP BULB REPLACEMENT



E136820

1. Carefully slide and pull the side repeater unit away from the vehicle.